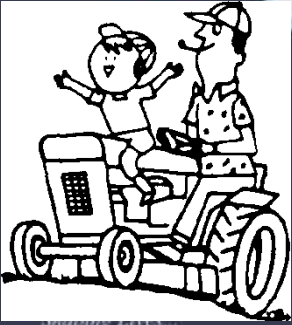




Centurion
UNIVERSITY
*Shaping Lives...
Empowering Communities...*

TRACTOR SAFETY

TRACTORS: FRIEND & FOE

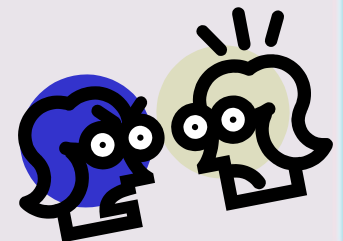


Shaping Lives...
Empowering Communities...

Tractors are often considered a farmer's best friend. Yet, tractors continue to cause serious injury and death among users & ground workers.

Even though tractor hazards have been identified for years, the same injuries/accidents continue to occur, even though there are known engineering controls and standard procedures to deal with these hazards.

Few of the recorded tractor injury accidents have been caused by equipment failure.





Centurion
UNIVERSITY

Shaping Lives...
Empowering the Future

AGE OF THE TRACTOR



Newer tractors have many safety controls that automatically protect the user

Our state-wide tractor fleet contains many older tractors



Knowledge gap exists for younger workforce and new hires of any age on how to operate tractors safely (esp. older models)

**Training tractor drivers on each tractor
and its implements is essential**



Centurion
UNIVERSITY

*Shaping Lives
Empowering Communities*

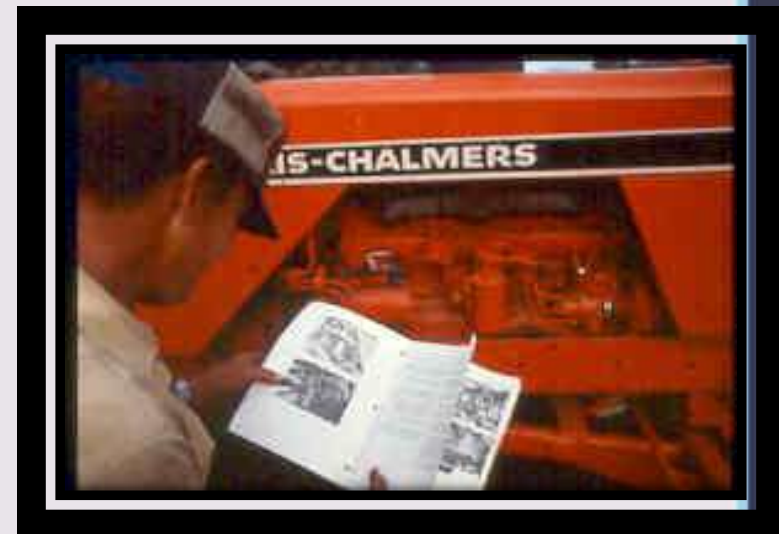
TRACTOR OPERATOR MANUALS

Tractor and tractor implement operator's manuals are the "oracle" on proper tractor operation & maintenance

When tractors get older, manuals are sometimes lost.

If manuals aren't on-site, find a copy:

- Contact manufacturer
- Internet search





Centurion
UNIVERSITY

*Shaping Lives...
Empowering Communities...*

POSTED INSTRUCTIONS & LABELS





Centurion
UNIVERSITY
Shaping Lives...
Empowering Communities...

TRACTOR SAFETY FEATURES

PTO shield & other machine guards

ROPS



Seat belt

Rear view mirrors



Head/Tail/Turn/Warning Lights

Back-up alarm

Slow Vehicle Warning Tri





Centurion
UNIVERSITY

COMMON MISHAPS

Rollovers: rear and side

Front-end loader incidents

Falls from tractor

Tractor run-over's

Caught-between crushing

PTO shaft entanglement





Centurion
UNIVERSITY
Shaping Lives
Empowering Communities...

TRACTOR ROLLOVERS

- ❑ Tractor rollovers happen when the center of gravity moves past a baseline of stability, either to the side or rear of the machine.
- ❑ Many rollovers happen at speeds < 8 Kmph and on slopes less than 5° . Avoid sudden motions.

- ❑ Contributing factors to rollovers are:

Various sizes, shapes and weights of implements

Speed!!!

Terrain

Human error



Know the safe working load of each tractor & never exceed it!

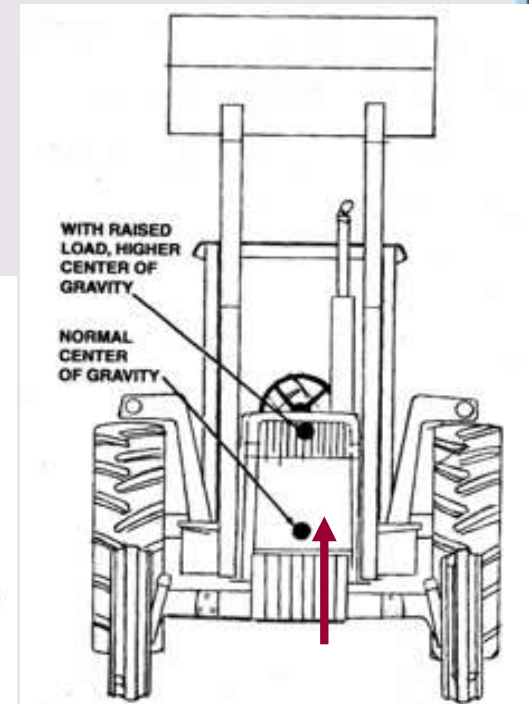
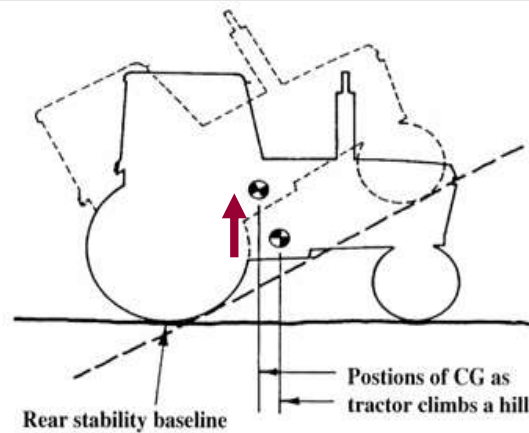
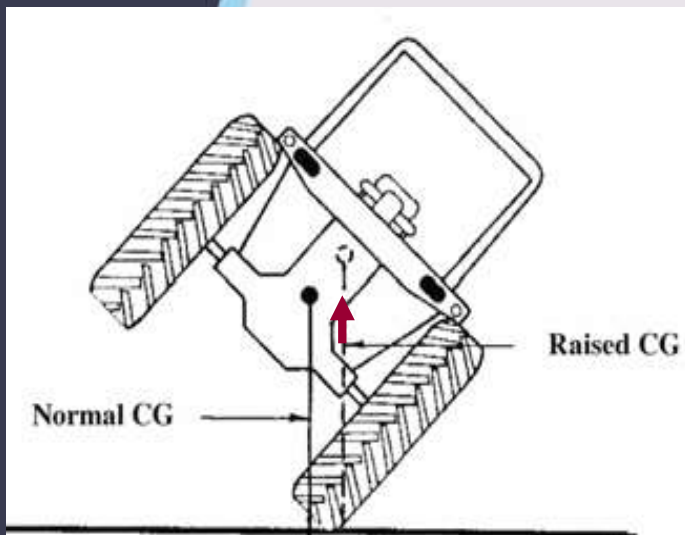


CENTER OF GRAVITY



Center of gravity affected by slopes, loads, turns & terrains

Stay Centered!



When the center of gravity is raised, the risk of rollover increases.



Centurion
UNIVERSITY
*Shaping Lives...
Empowering Communities...*

ROLLOVER PROTECTIVE STRUCTURES

R-O-P-S



Stationary

or



Foldable