



Centurion
UNIVERSITY
*Shaping Lives...
Empowering Communities...*

COOLING SYSTEM



Centurion
UNIVERSITY

Shaping the Future...
Empowering Communities...

I C ENGINE COOLING

The temperature of gases inside the cylinder will be around $2300-2500^{\circ}\text{C}$. This is a very high temperature and may result into burning of oil film between the moving parts and may result into seizing or welding of the same.

So, this temperature must be reduced to about $150-200^{\circ}\text{C}$ at which the engine will work most efficiently.

Too much cooling is also not desirable since it reduces the thermal efficiency.

So, the object of cooling system is to keep the engine running at its most efficient operating temperature.



Centurion
UNIVERSITY

Shaping Lives
Empowering Communities

Purpose of cooling

- To maintain optimum temperature of engine for efficient operation under all conditions.
- To dissipate surplus heat for protection of engine components like cylinder, cylinder head, pistons, piston rings and valves.
- To maintain the lubricating properties of oil inside the engine cylinder for normal functioning of the engine.



Centurion
UNIVERSITY

Shaping Lives...
Empowering Communities

Methods of cooling

Air cooling

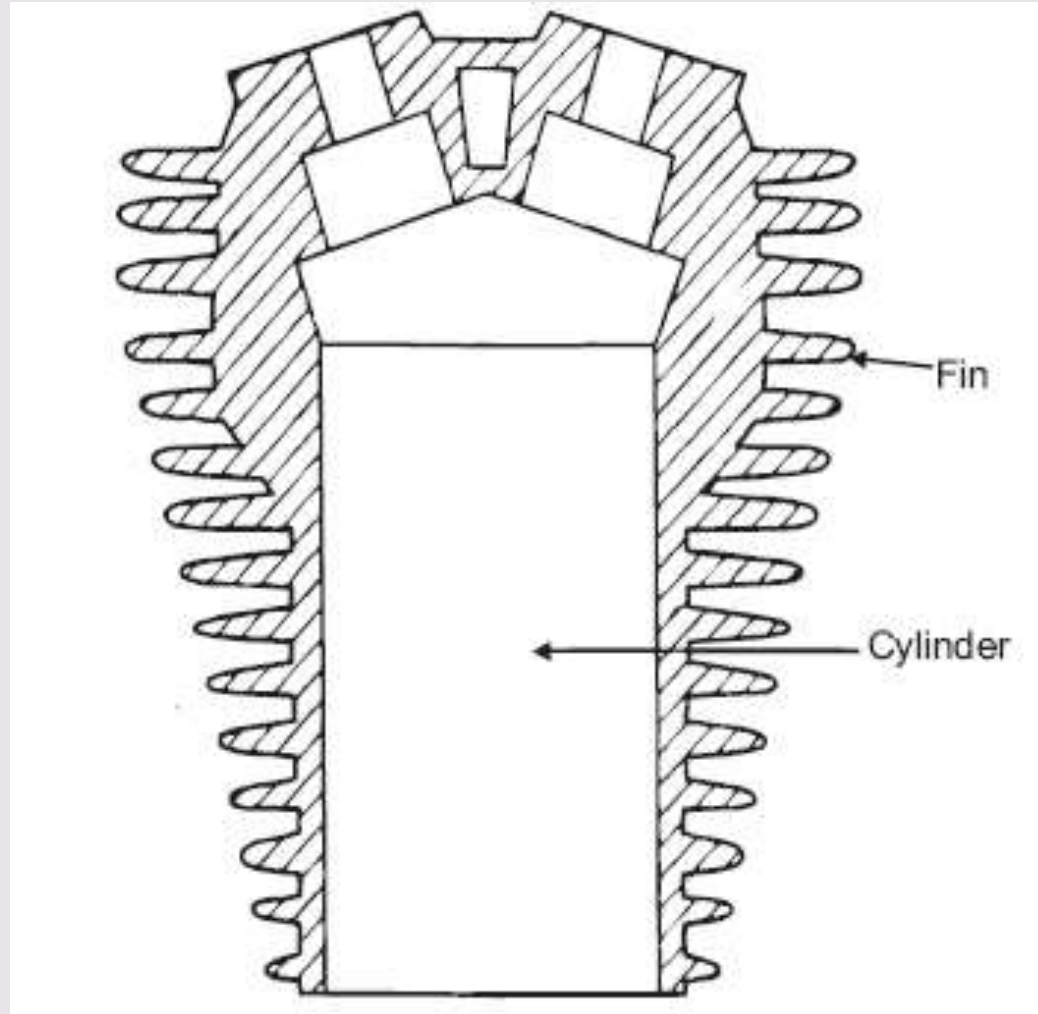
Water cooling



Centurion
UNIVERSITY

*Shaping Lives...
Empowering Communities...*

AIR COOLING SYSTEM





Centurion
UNIVERSITY

Shaping Lives
Empowering Communities

Types of water cooling system

Open jacket or hopper method

Thermo siphon system

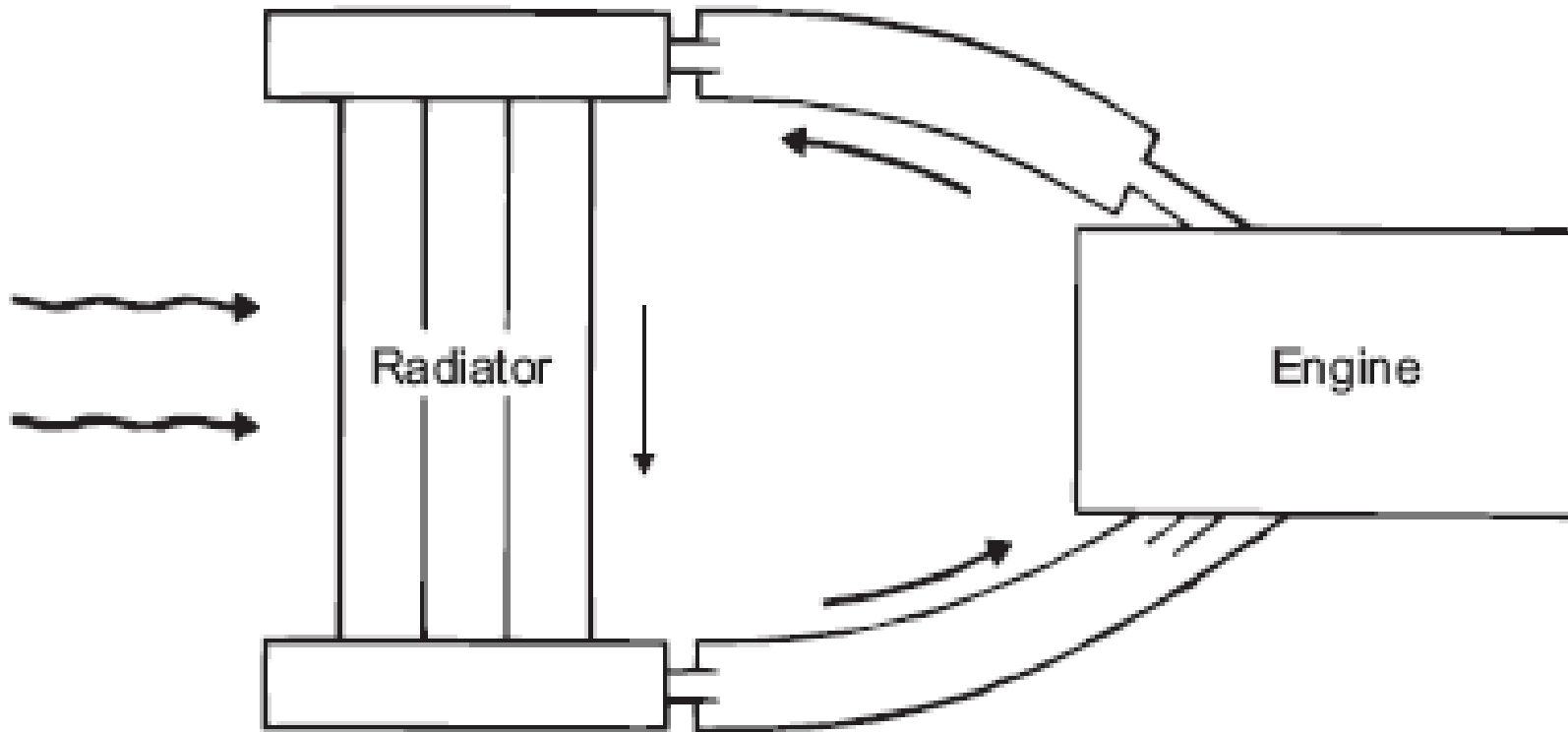
Forced circulation method



Centurion
UNIVERSITY

Shaping Lives...
Empowering Communities...

Thermo Siphon System





Centurion
UNIVERSITY
*Shaping Lives...
Empowering Communities*

Components of Water Cooling System

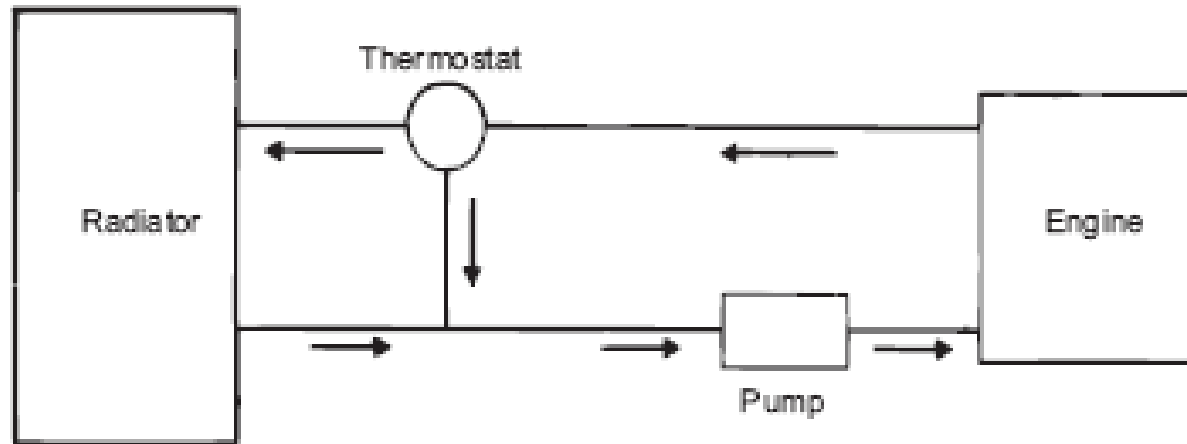


Figure 5.4 : Water Cooling System using Thermostat Valve

