



Centurion
UNIVERSITY

Lecture 5. Description, working and maintenance of can washers straight – Through Can Washer

Vivek Kumar

Assistant Professor

Department of Agricultural Engineering, SoABE,
Centurion University of Technology and Management,
Paralakhemundi

Odisha 761211.

e-mail: vivek.btag@gmail.com; vivek.kumar@cutm.ac.in

Mob. no.+91-6371650970, 9734982094



1. Introduction

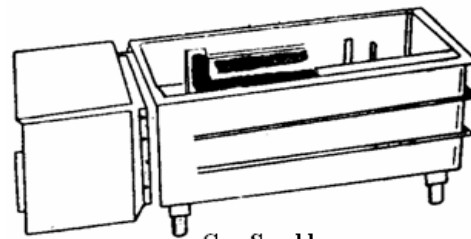
2. Hand washing or Can scrubber

Preparation: Can scrubber is prepared for Can washing

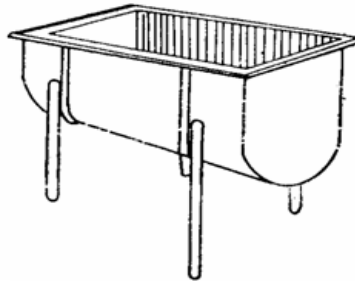
Washing operations

3. Steaming Block

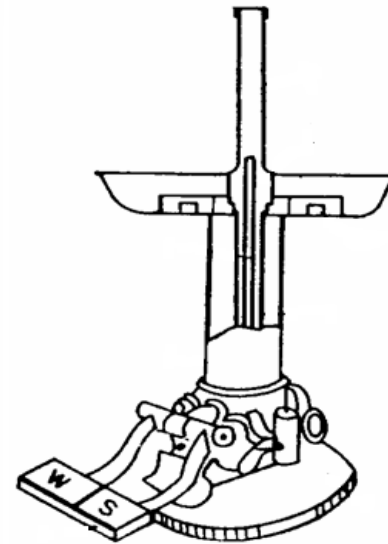
Operational Precautions



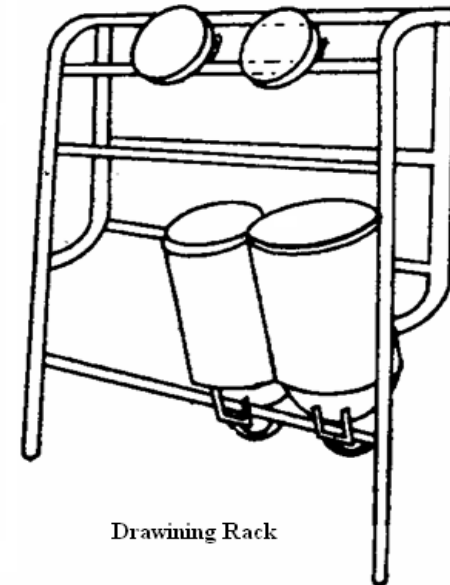
Can Scrubber



Can washing trough



Can Rising and Steaming Block



Drawing Rack

Fig. Steaming Block



4. Rotary Can Washer

The sequence of operations preceding simultaneously are

(1) loading of can in vertical inverted position (2) rinsing with warm water (which is drained), (3) drainage of rinse water, (4) treatment with detergent solution at high pressure (at 65 to 70 °C) to soak, loosen and dislodge milk film from can surfaces, (5) drainage of wash solution back to detergent tank, (6) hot water rinsing at 65 to 70 °C, (7) and (8) blasting with dry saturated steam, (9) drying of steam condensate with hot air blast, and (10) unloading of the can, inverting and placing the lid on the can.



5. Straight Through Can Washer

5.1 Principle of operation

5.2 Draining

5.3 Pre-rinsing

5.4 Hot water rinsing I

5.5 Caustic Rinsing

5.6 Hot water rinsing 2

5.7 Sterilization

5.8 Drying

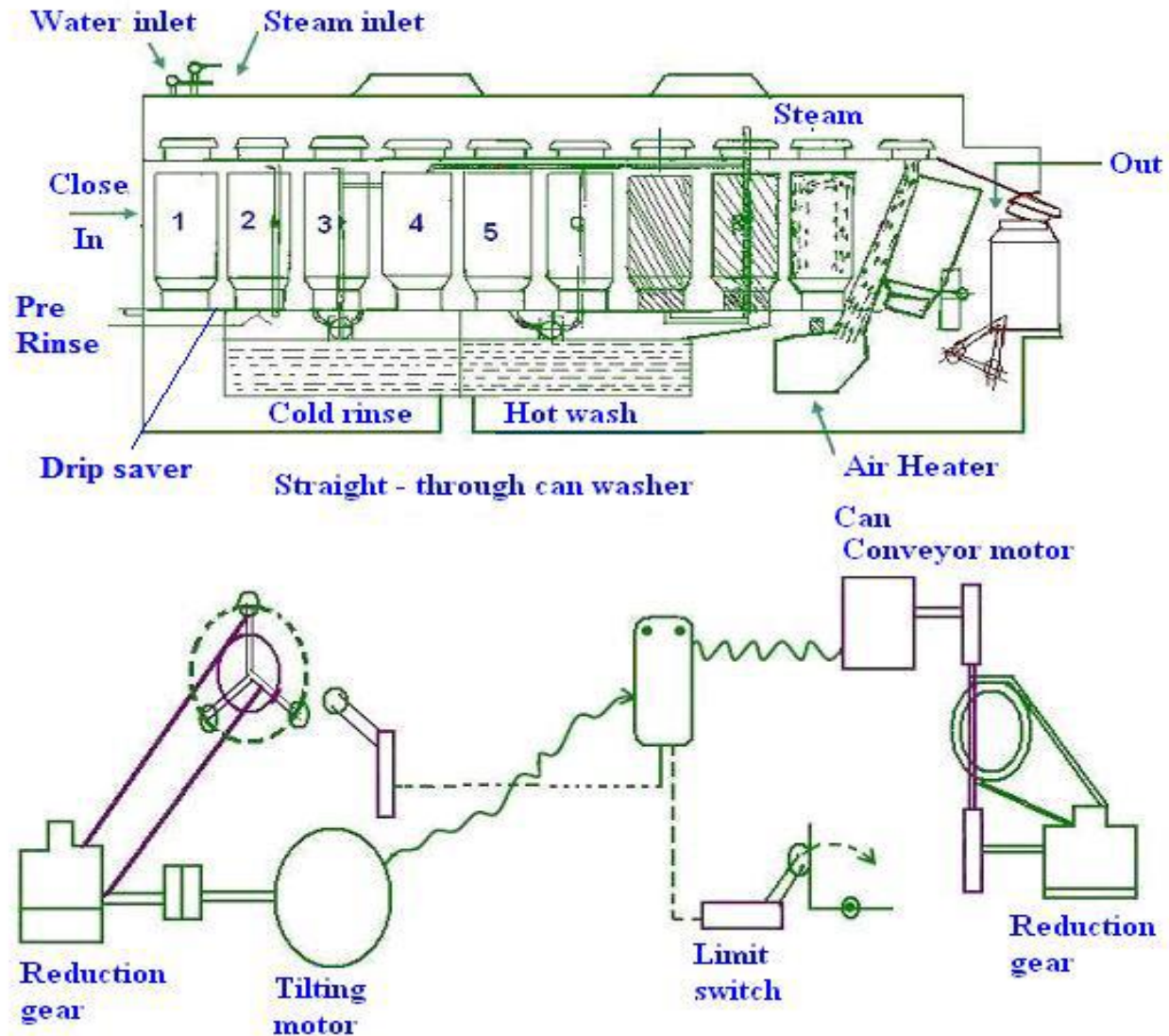


Fig. Straight through Can Washer



6. Maintenance

7. Preventive maintenance schedule

Maintenance to be done	Frequency
Drain the water from can washer and clean the tanks	Daily
Clean all spray nozzles and openings	Daily
Clean the pump strainers by brushing	Daily
Clean the chain conveyor with hot water after every operation	Daily
Lubricate all the rollers, bearings, bushings, ratchet arms and chain	Daily
Check oil level in the reduction gear box	Daily
Check the function of the dosing device	Daily
Open all the shields after every operation.	Daily
Check the water line and steam line valves for leakage through glands.	Weekly
Lubricate the bearings of hot air blower and exhaust fan by lightening the grease cups	Weekly
Check the suction filter of hot air blower clean or replace, if required	Weekly
Check the leakage through pump glands	Weekly
Check steam and water valves for any leak and spray nozzles and non return	Weekly



Centurion
UNIVERSITY

Thank You