



Centurion
UNIVERSITY

Lecture 7. CIP and Designing of System.

Vivek Kumar

Assistant Professor

Department of Agricultural Engineering, SoABE,
Centurion University of Technology and Management,
Paralakhemundi

Odisha 761211.

e-mail: vivek.btag@gmail.com; vivek.kumar@cutm.ac.in

Mob. no.+91-6371650970, 9734982094



1. Introduction

For effective Cleaning the following aspects are important:

- i. Design of plant, material used and ancillary equipment should be suitable for CIP cleaning.
- ii. Cleaning procedure to be adopted depending on soil type, detergent type, concentration, temperature, contact time, type of surface.
- iii. CIP cycle must effectively and automatically controlled with minimum of intervention, or unauthorized alteration
- iv. Supervision is important although high degree of automation is available.

2. Types of CIP Cleaning

Single use system

Re-use CIP system



3. Automation of CIP Cleaning

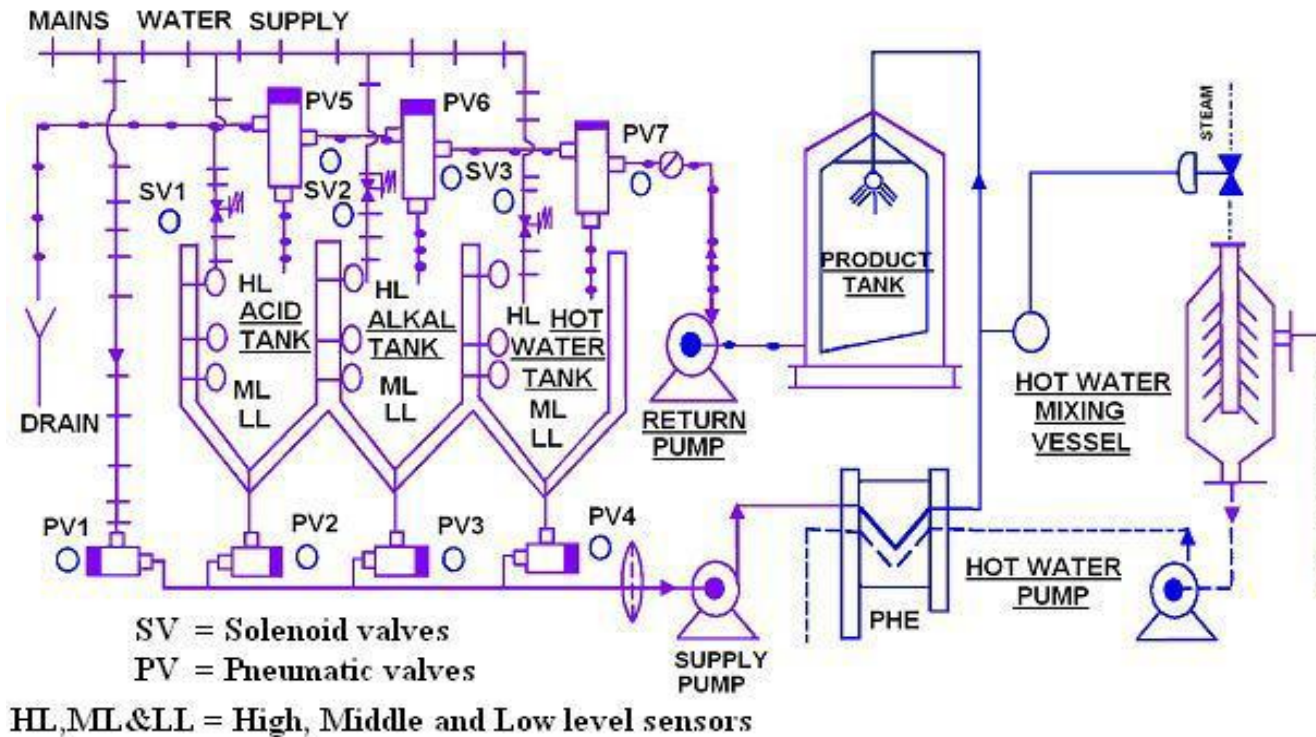


Fig. Automation of CIP cleaning



3. Automation of CIP Cleaning

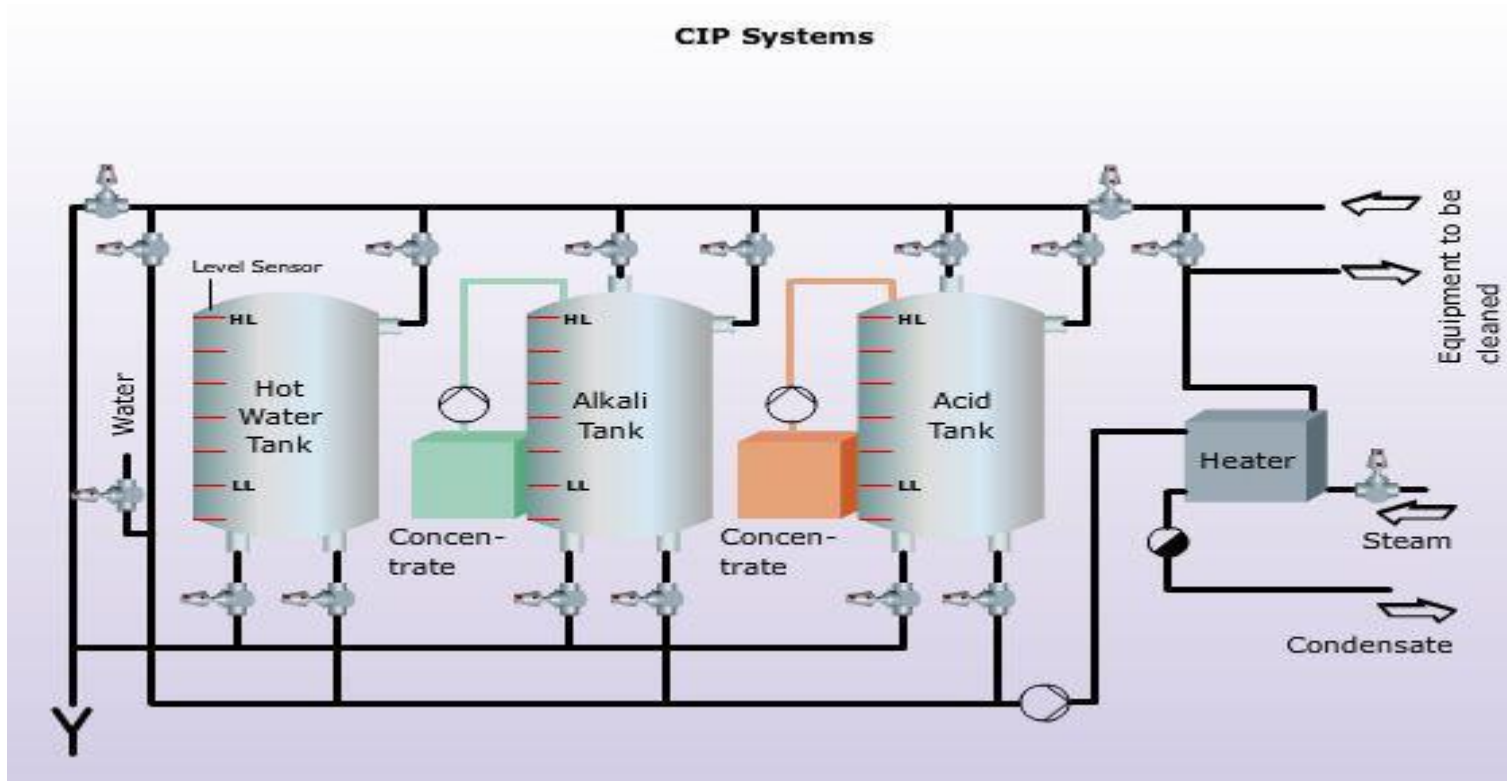


Fig. Automation of CIP cleaning



Centurion
UNIVERSITY

Thank You