



Centurion
UNIVERSITY

Lecture 8. Mechanical Separation: Fundamentals Involved in Separation.

Vivek Kumar

Assistant Professor

Department of Agricultural Engineering, SoABE,
Centurion University of Technology and Management,
Paralakhemundi

Odisha 761211.

e-mail: vivek.btag@gmail.com; vivek.kumar@cutm.ac.in

Mob. no.+91-6371650970, 9734982094



1. Introduction
2. Gas-Solid Separations
3. Cyclone Separators
4. Venturi Scrubber

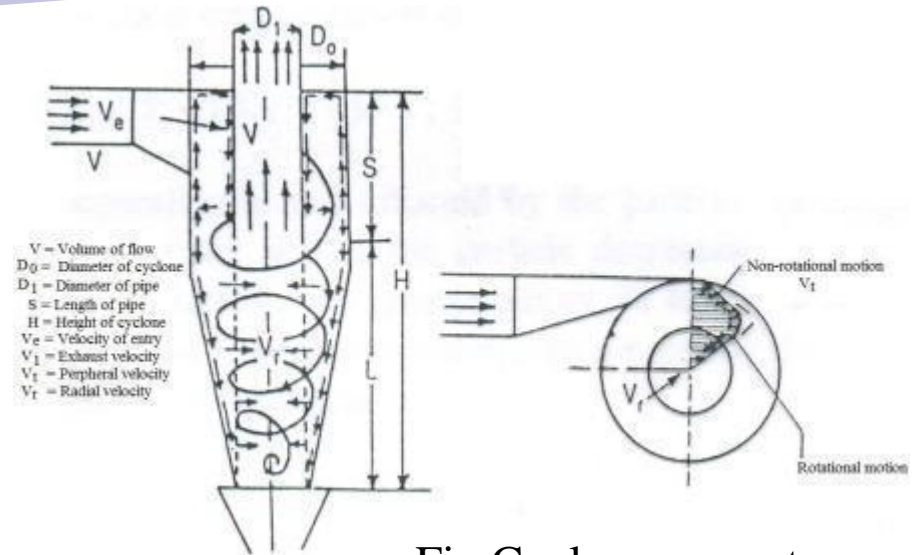


Fig Cyclone separator

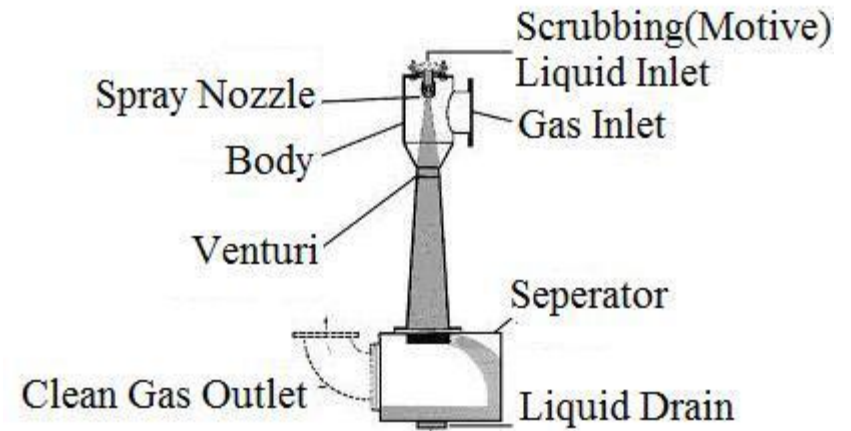


Fig. Venturi Scrubber



5. Liquid Solid Separations

5.1 Clarifiers

5.2 Rectangular Clarifiers

5.3 Circular Clarifiers

5.4 Tilted-Plate Clarifiers

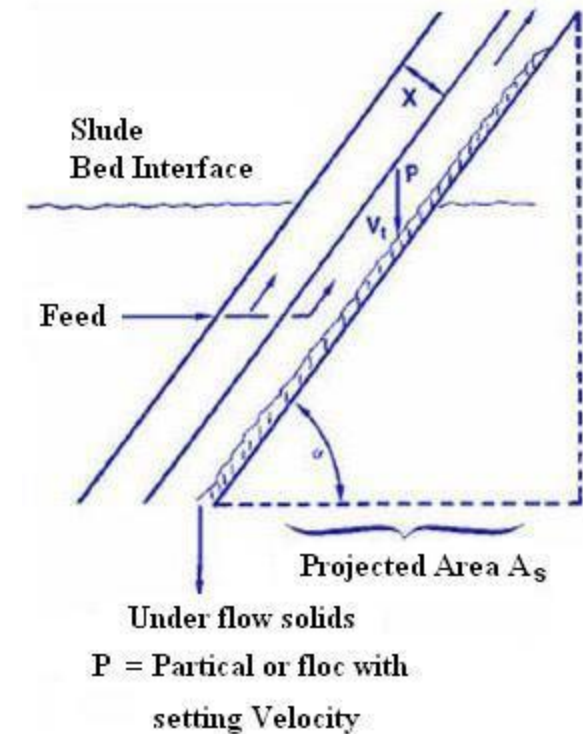


Fig. Tilted Plate clarifiers



Centurion
UNIVERSITY

Thank You