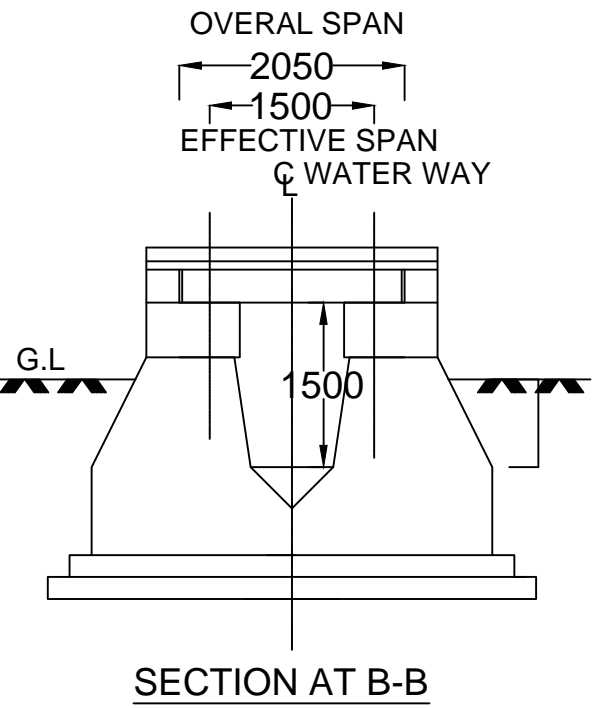
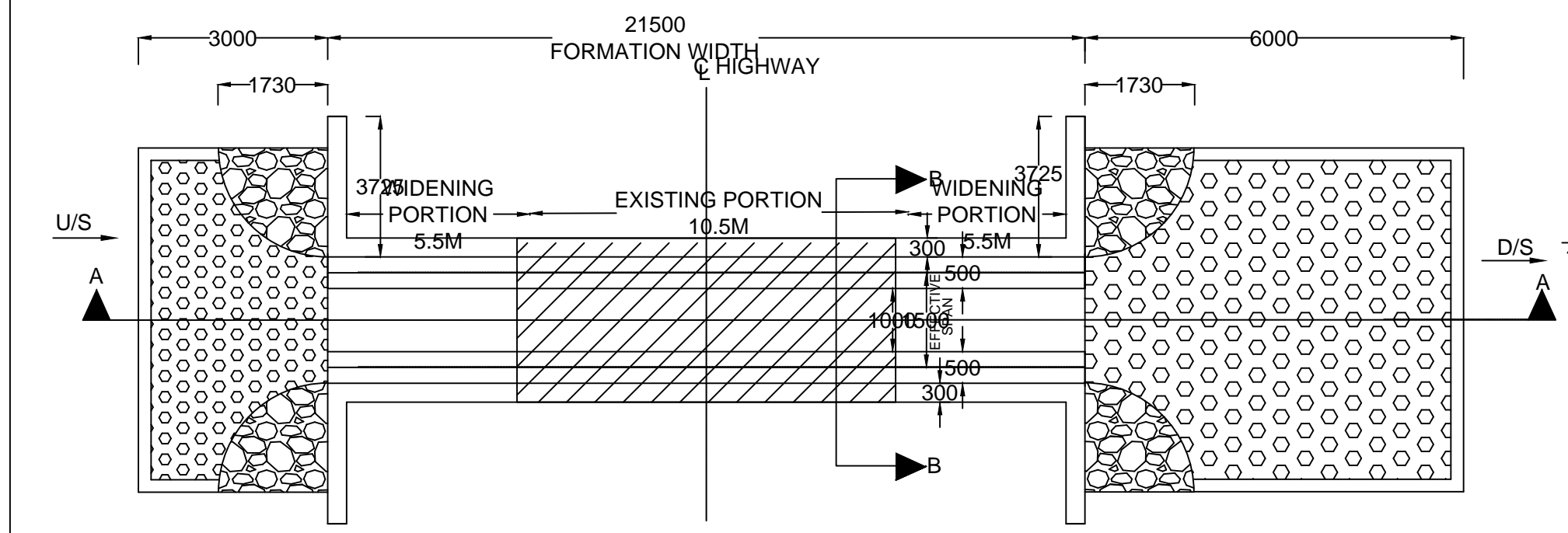


DETAILS OF DECK SLAB



SECTION AT B-B

- NOTES:-**
1. ALL DIMENSIONS ARE IN MM & LEVELS ARE IN METER.
 2. ONLY WRITTEN DIMENSIONS ARE TO BE FOLLOWED, DO NOT SCALE THE DIMENSIONS.
 3. CHAINAGE / FORMATION LEVEL IS PROVIDED AS PER APPROVED PLAN & PROFILE DRAWING.
 4. ABUTMENT AND WING WALL SECTIONS ARE APPLICABLE FOR A MINIMUM BEARING CAPACITY OF THE SOIL OF 16.5 t/m². FOR SOIL HAVING LOWER BEARING CAPACITY THE SECTIONS SHOULD BE INCREASED SUITABLY.
 5. ABUTMENT AND WING WALL SECTIONS FOR INTERMEDIATE HEIGHTS TO BE ADOPTED SUITABLY.
 6. THE VARIOUS DIMENSIONS TO BE SUITABLY ADJUSTED TO SUIT THE SIZE OF BRICKS WHERE NECESSARY.
 7. THE SECTIONS ARE APPLICABLE FOR CULVERTS DESIGNED FOR IRC CLASS 70R OR 2 LANES OF CLASS A LOADING,WHICHEVER IS MORE SEVERE, WITHOUT PROVISION OF APPROACH SLABS.
 8. THE SECTIONS SHALL BE IN CEMENT CONCRETE M 15, BRICK MASONRY IN CEMENT MORTAR 1:3 OR COURSED RUBBLE MASONRY (1st SORT) IN CEMENT MORTAR 1:3. THE FOUNDATION CONCRETE SHALL BE IN CEMENT CONCRETE M 15.
 9. FOR REINF. DETAILS OF RETURN WALL REFER SEPARATE DRAWING.

**PLAN
RCC SLAB CULVERT OF SPAN 1.5M & HEIGHT 1.5M**

CLIENT
OFFICE OF THE EXECUTIVE ENGINEER
KEONJHAR (R & B) DIVISION
KEONJHAR

PROJECT
IMPROVEMENT OF BARBIL-KIRIBUR
ROAD (ODR) FROM RD 0/0 TO 16/000 KM IN THE
DISTRICT OF KEONJHAR UNDER STATE PLAN

NAME OF THE ROAD
BARBIL
TO
KIRIBUR

TITLE
Slab Culvert
Widening

DESIGN CONSULTANT **CONFIANCE INFRA TECH MANAGEMENT PVT. LTD.**
(Architects, Engineers, Surveyors & Consultants)
ADDRESS: PLOT NO-2093, 3RD FLOOR, BIJU PATNAIK COLLEGE ROAD, JAYDEV VIHAR
BHUBANESWER, ODISHA-751013. Ph - +91-9040044991, +91-8093804309
Email: confin.infra.tech@gmail.com

Scale:- NTS

Dsgn. by
Chkd. by
Aprvd. by

DATE
DRG. NO.