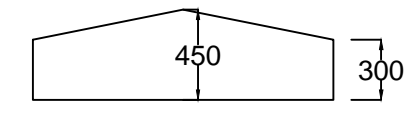
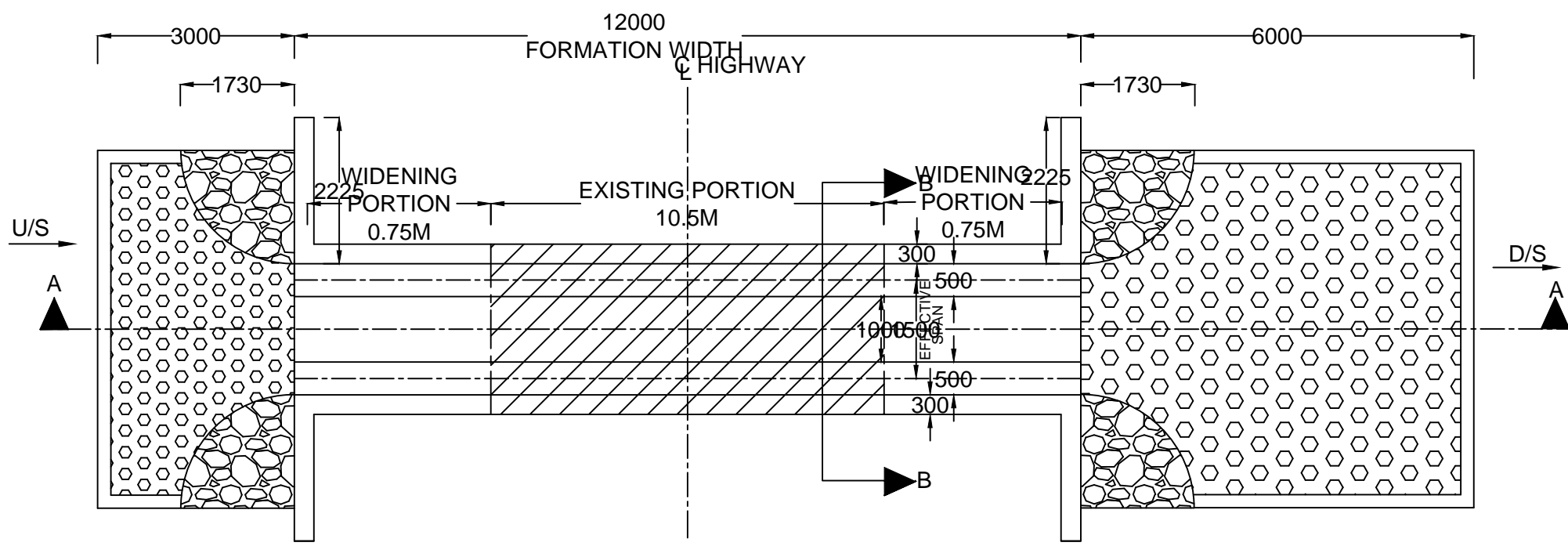


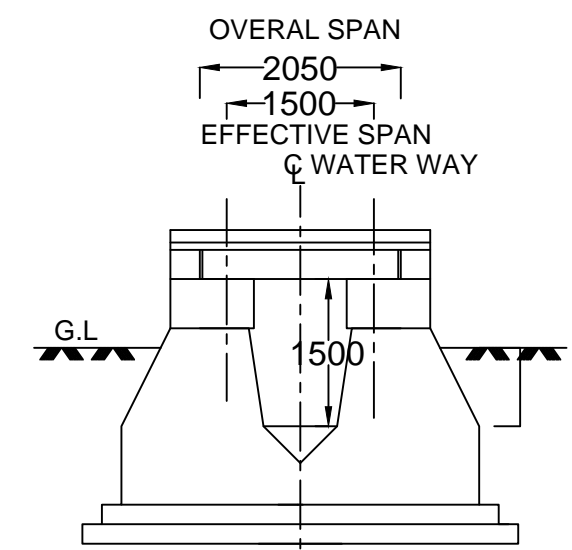
SECTION OF ABUTMENT



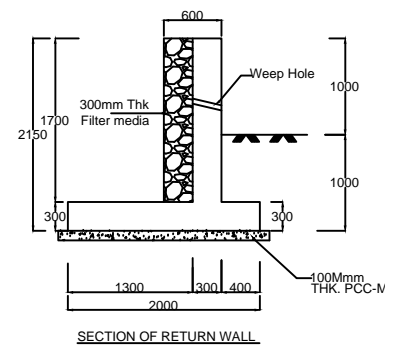
DETAILS OF DECK SLAB



PLAN



SECTION AT B-B



SECTION OF RETURN WALL

- NOTES:-
1. ALL DIMENSIONS ARE IN MM & LEVELS ARE IN METER.
 2. ONLY WRITTEN DIMENSIONS ARE TO BE FOLLOWED, DO NOT SCALE THE DIMENSIONS.
 3. CHANGE / FORMATION LEVEL IS PROVIDED AS PER APPROVED PLAN & PROFILE DRAWING.
 4. ABUTMENT AND WING WALL SECTIONS ARE APPLICABLE FOR A MINIMUM BEARING CAPACITY OF THE SOIL OF 16.5 tm. FOR SOIL HAVING LOWER BEARING CAPACITY THE SECTIONS SHOULD BE INCREASED SUITABLY.
 5. ABUTMENT AND WING WALL SECTIONS FOR INTERMEDIATE HEIGHTS TO BE ADOPTED SUITABLY.
 6. THE VARIOUS DIMENSIONS TO BE SUITABLY ADJUSTED TO SUIT THE SIZE OF BRICKS WHERE NECESSARY.
 7. THE SECTIONS ARE APPLICABLE FOR CULVERTS DESIGNED FOR IRC CLASS 70R OR 2 LANES OF CLASS A LOADING WHICHEVER IS MORE SEVERE, WITHOUT PROVISION OF APPROACH SLABS.
 8. THE SECTIONS SHALL BE IN CEMENT CONCRETE M 15, BRICK MASONRY IN CEMENT MORTAR 1:3 OR COURSED RUBBLE MASONRY (M 50) IN CEMENT MORTAR 1:3. THE FOUNDATION CONCRETE SHALL BE IN CEMENT CONCRETE M 15.
 9. FOR REINF. DETAILS OF RETURN WALL REFER SEPARATE DRAWING.

RCC SLAB CULVERT OF SPAN 1.5M & HEIGHT 1.5 M

CLIENT OFFICE OF THE EXECUTIVE ENGINEER KEONJHAR (R & B) DIVISION KEONJHAR	PROJECT IMPROVEMENT OF BARBIL-KIRIBUR ROAD (ODR) FROM RD 0/0 TO 16/000 KM IN THE DISTRICT OF KEONJHAR UNDER STATE PLAN	NAME OF THE ROAD BARBIL TO KIRIBUR	TITLE Slab Culvert Widening	DESIGN CONSULTANT CONFIANCE INFRATECH MANAGEMENT PVT. LTD. (Architects, Engineers, Surveyors & Consultants) ADDRESS: PLOT NO-2093, 3RD FLOOR ,BIJU PATNAIK COLLAGE ROAD, JAYDEV VIHAR BHUBANESWER , ODISHA-751013 .Ph - +91-9040044991,+91-8093804309 Email:confin.infratech@gmail.com	Scale:- NTS	Dsgn. by	DATE
						Chkd. by	
						Aprvd. by	