

# Communication Protocols

## Serial Peripheral Interface

- Swarna Prabha Jena

Asst. Prof. , Department of ECE

# Serial Peripheral Interface

- Introduction
- Interface
- Hardware Configurations
- Data Transmission
  - Data Validity

# SPI

## Introduction

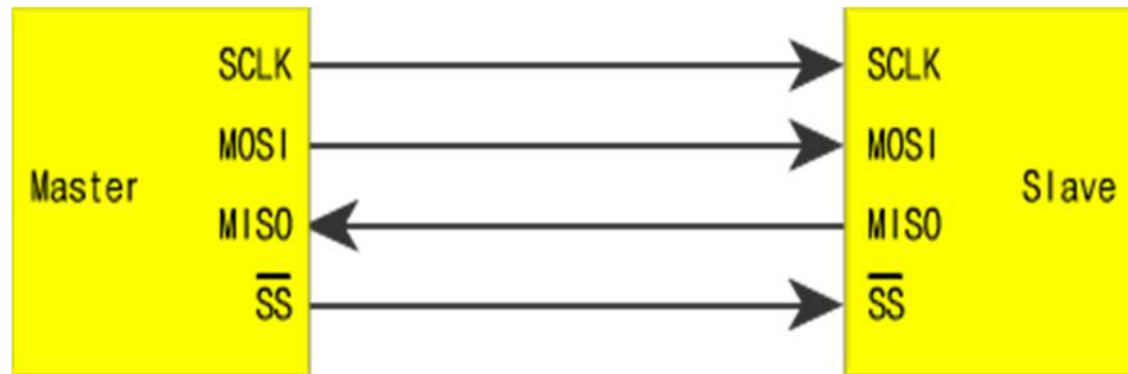
- Synchronous
- Full Duplex
- Master / Slave

# SPI Interface

- SCLK
- MOSI
- MISO
- nSS

# SPI

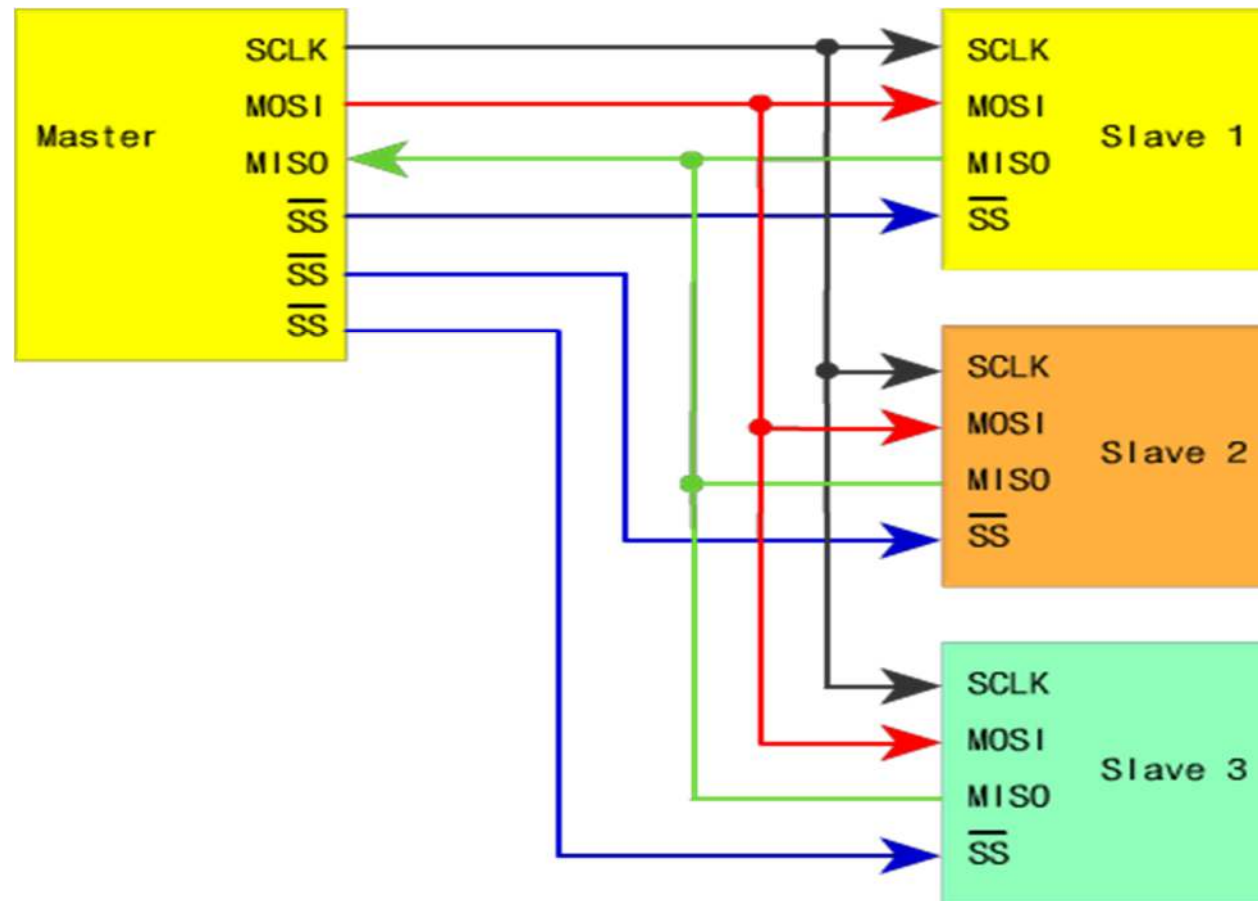
## Hardware Configuration



Single Master and Single Slave

# SPI

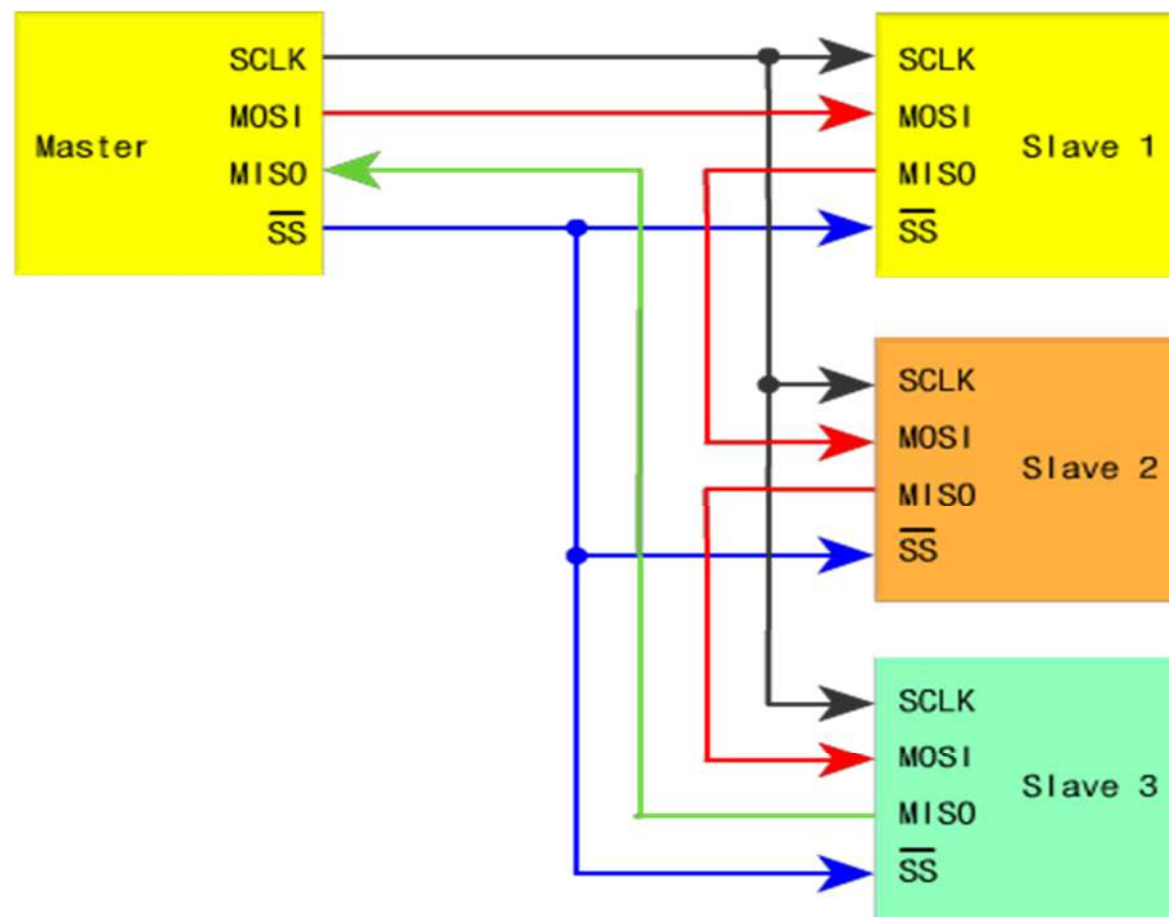
## Hardware Configuration



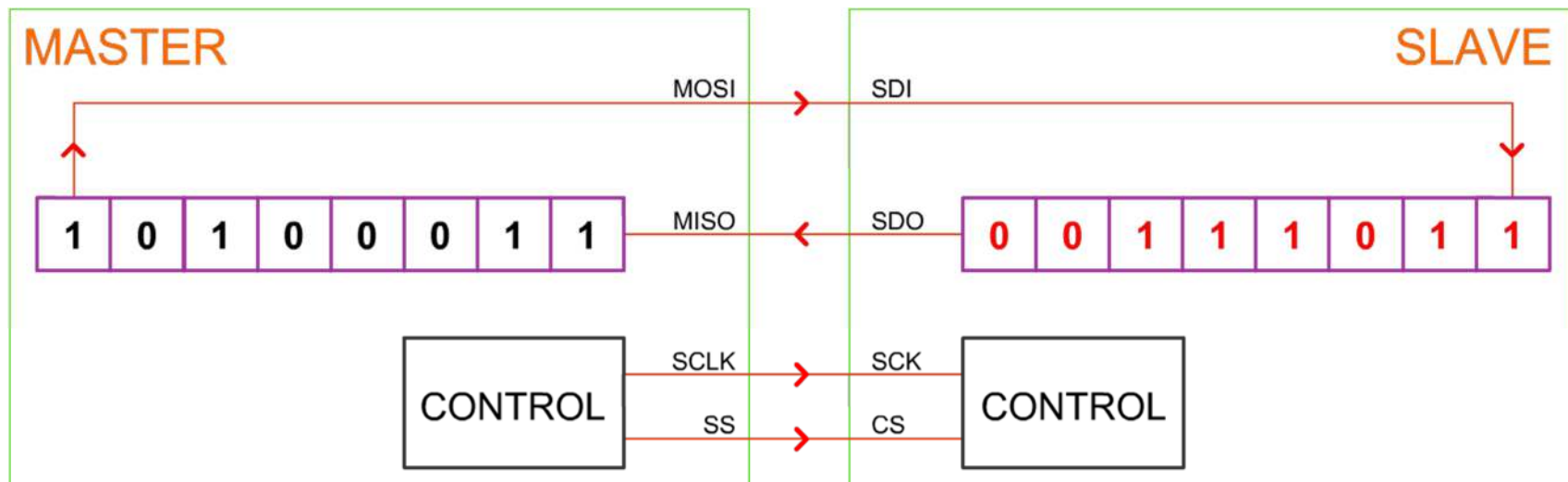
Single Master and three Slaves

# SPI

## Hardware Configuration

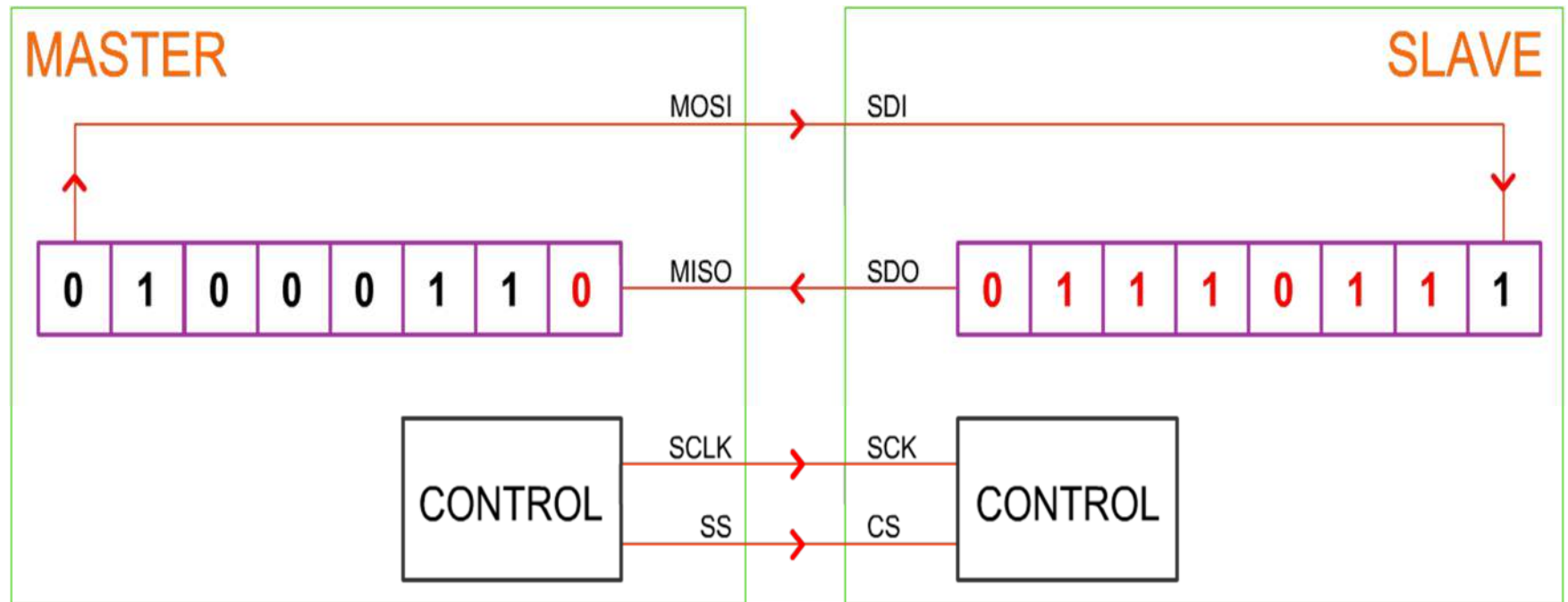


# SPI Data Transmission





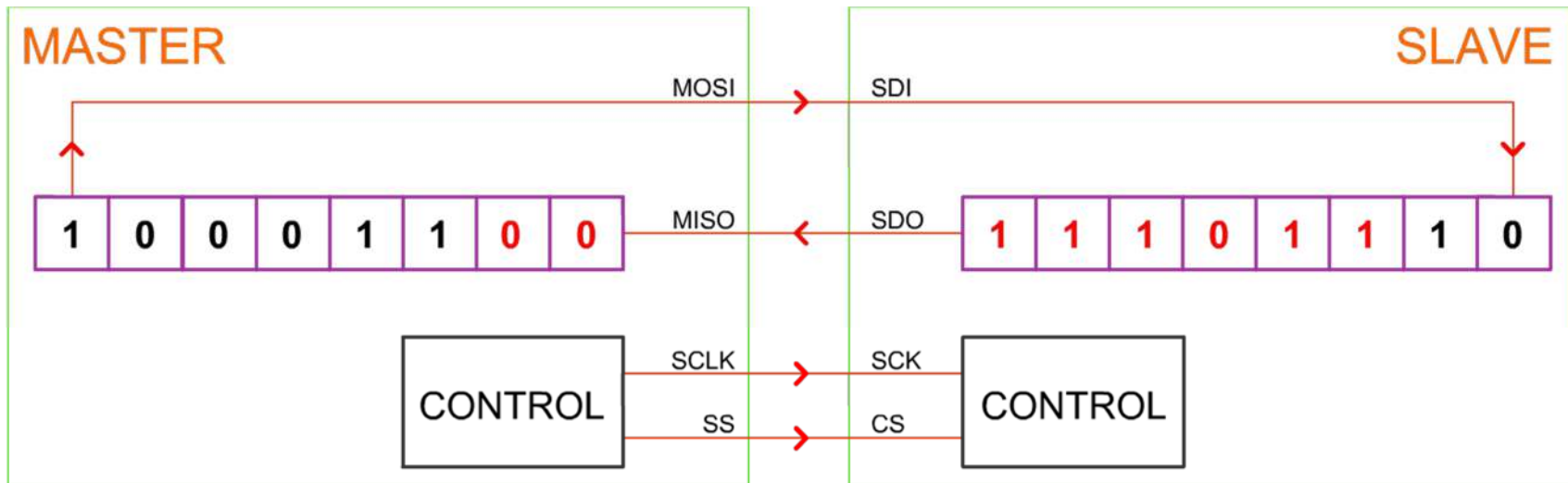
# SPI Data Transmission



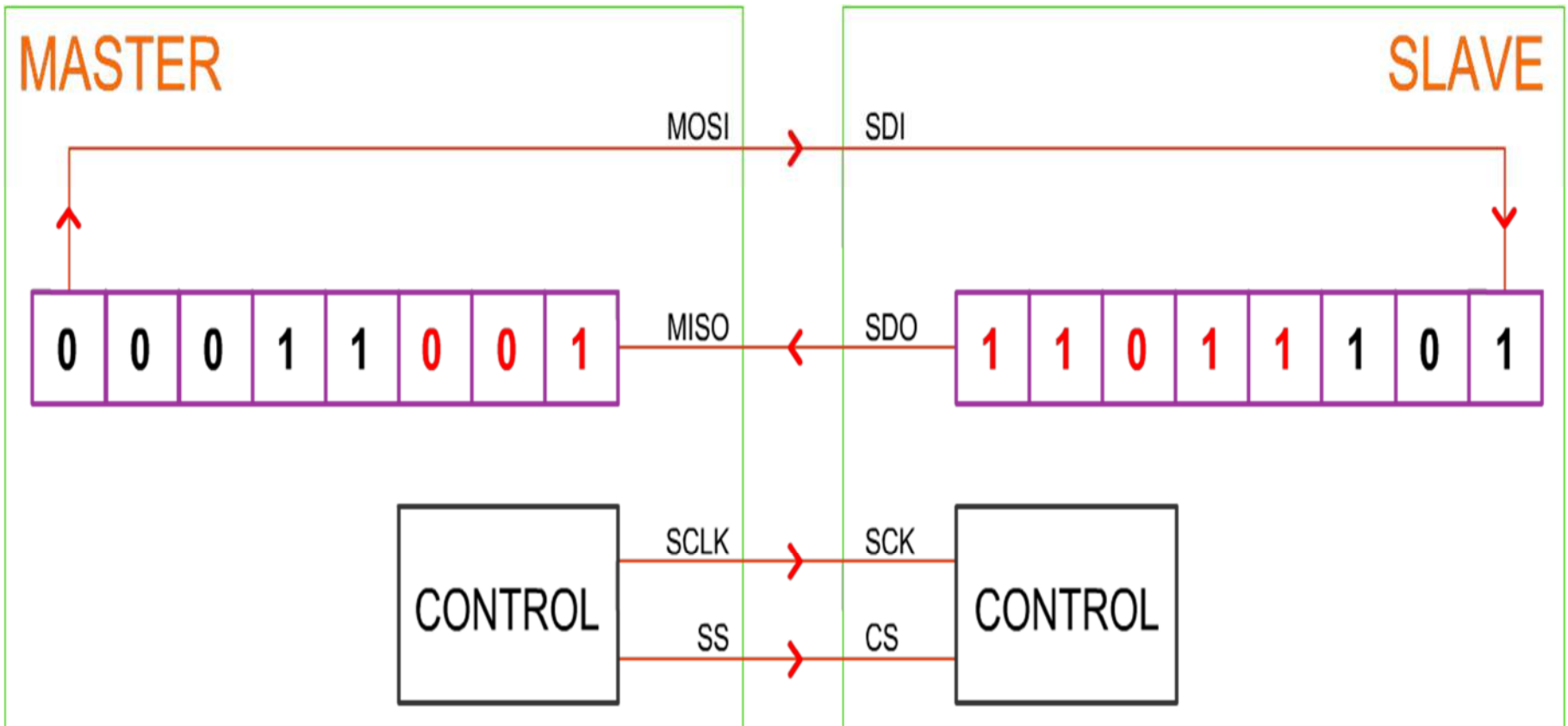
# SPI

## Data Transmission

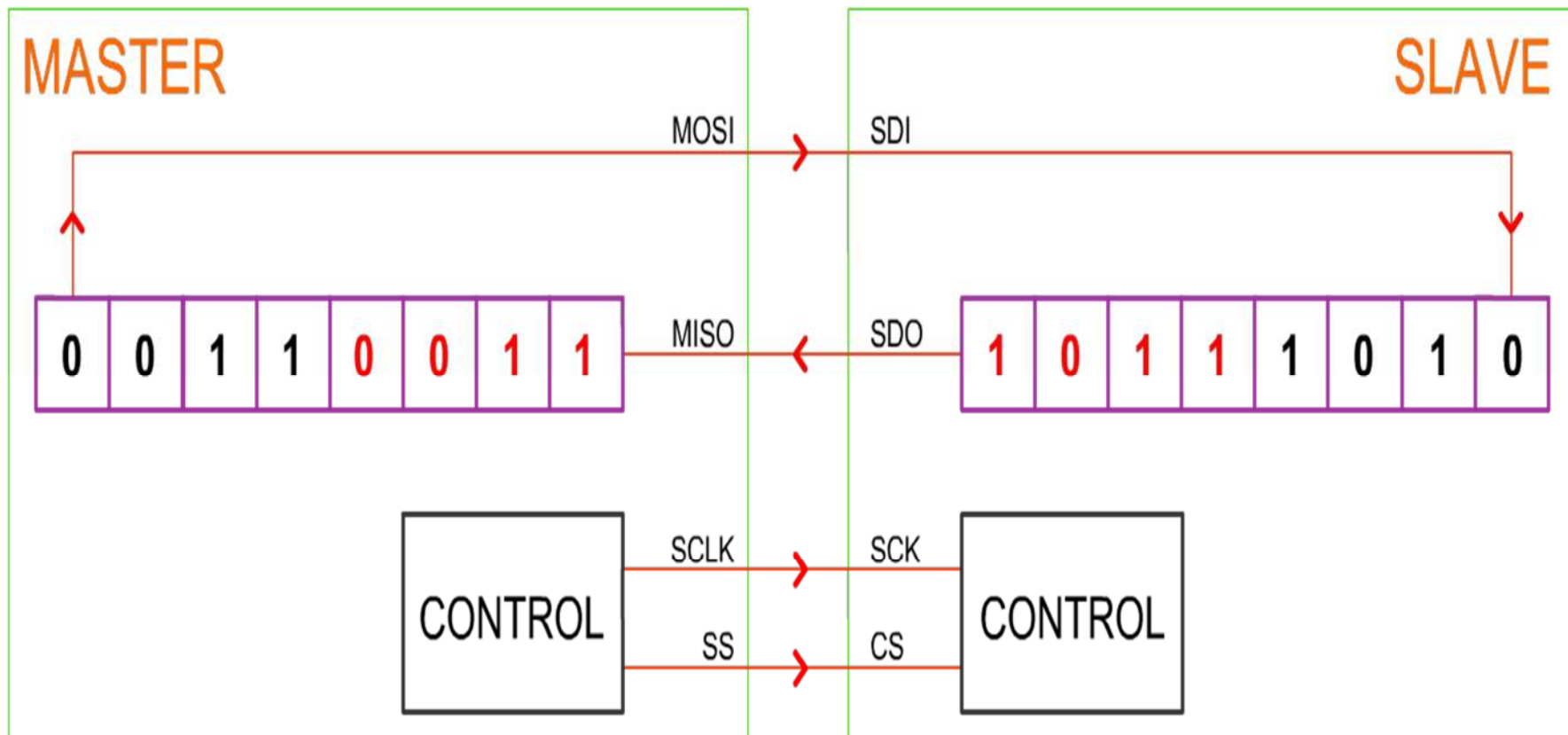
10



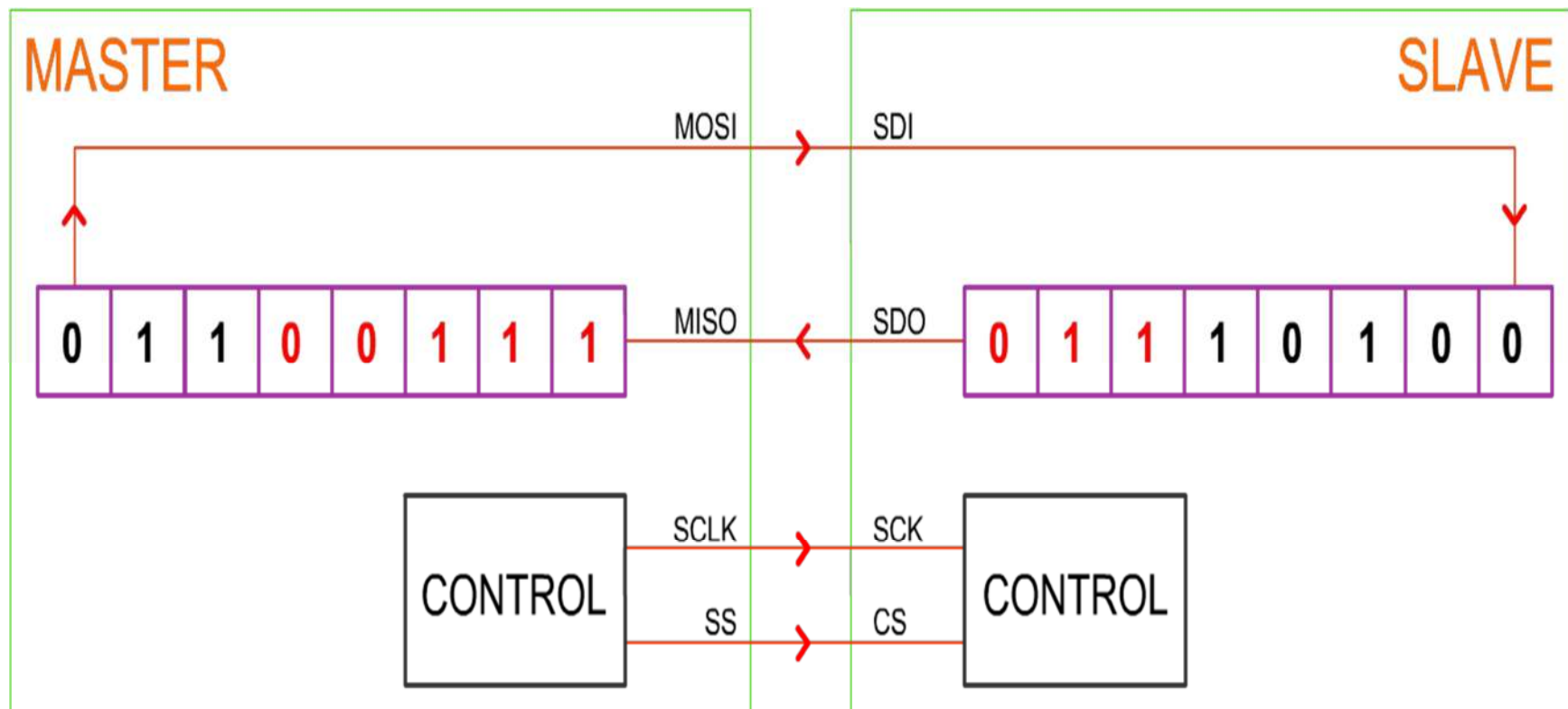
# SPI Data Transmission



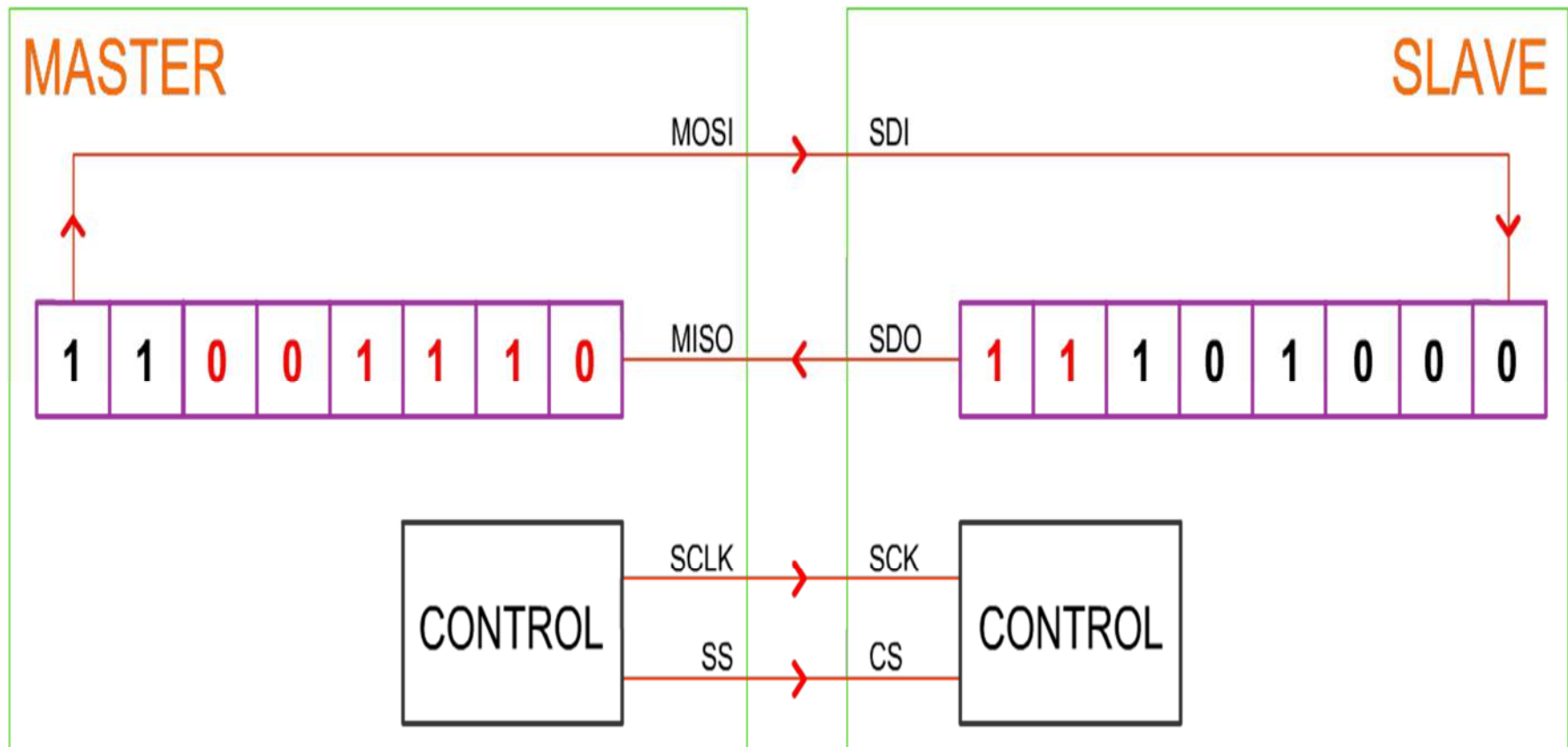
# SPI Data Transmission



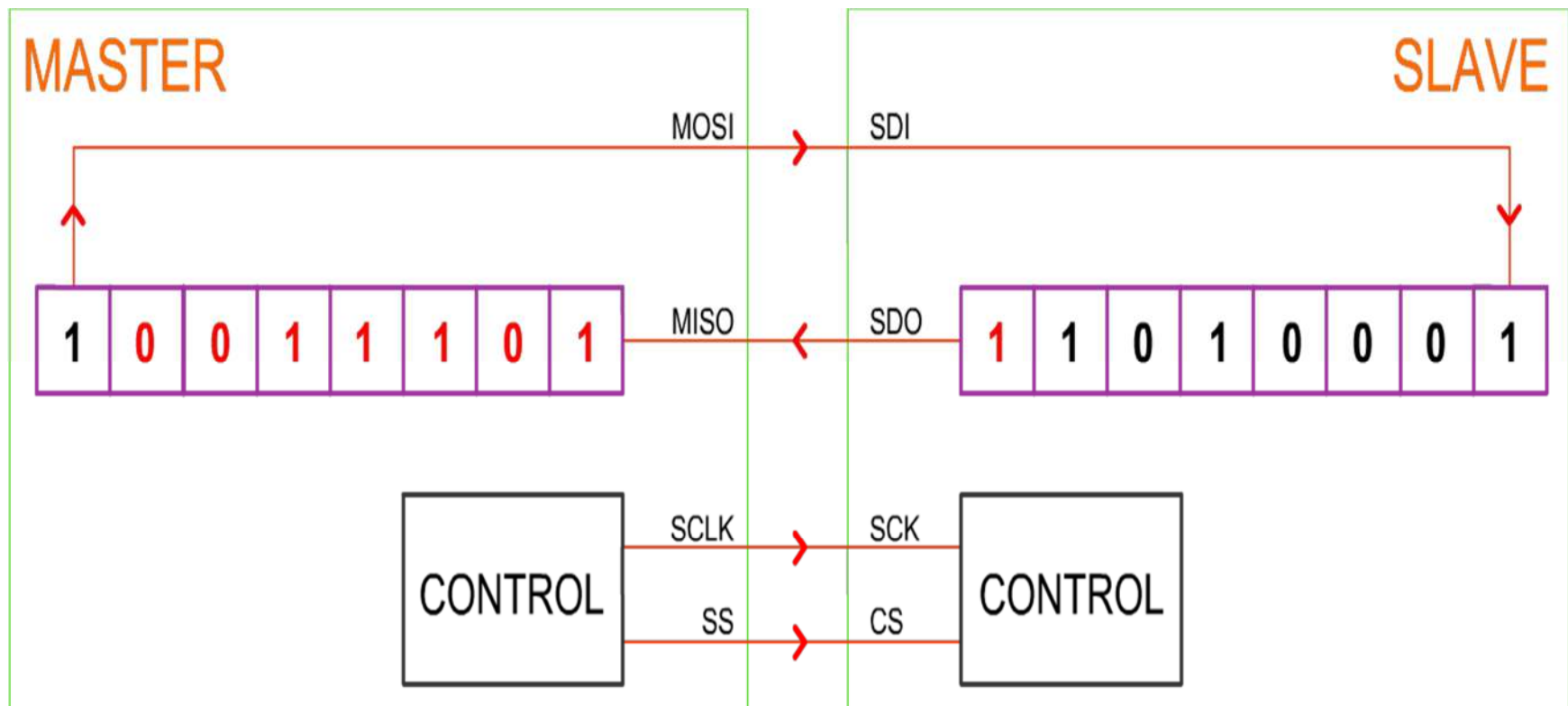
# SPI Data Transmission



# SPI Data Transmission



# SPI Data Transmission





# SPI Data Transmission

