

# Mealy and Moore FSM

# Mealy and Moore Models

*Mealy*

*Moore*

Present State		I/P	Next State		O/P
A	B	x	A	B	y
0	0	0	0	0	0
0	0	1	0	1	0
0	1	0	0	0	1
0	1	1	1	1	0
1	0	0	0	0	1
1	0	1	1	0	0
1	1	0	0	0	1
1	1	1	1	0	0

For the same *state*,  
the *output* changes with the *input*

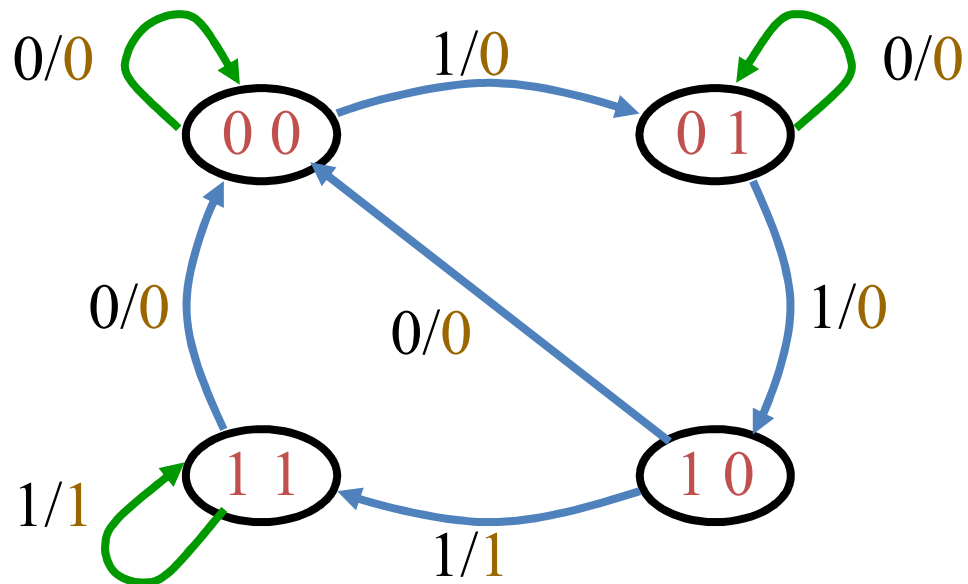
Present State		I/P	Next State		O/P
A	B	x	A	B	y
0	0	0	0	0	0
0	0	1	0	1	0
0	1	0	0	1	0
0	1	1	1	0	0
1	0	0	1	0	0
1	0	1	1	1	0
1	1	0	1	1	1
1	1	1	0	0	1

For the same *state*,  
the *output* does not change with the *input*



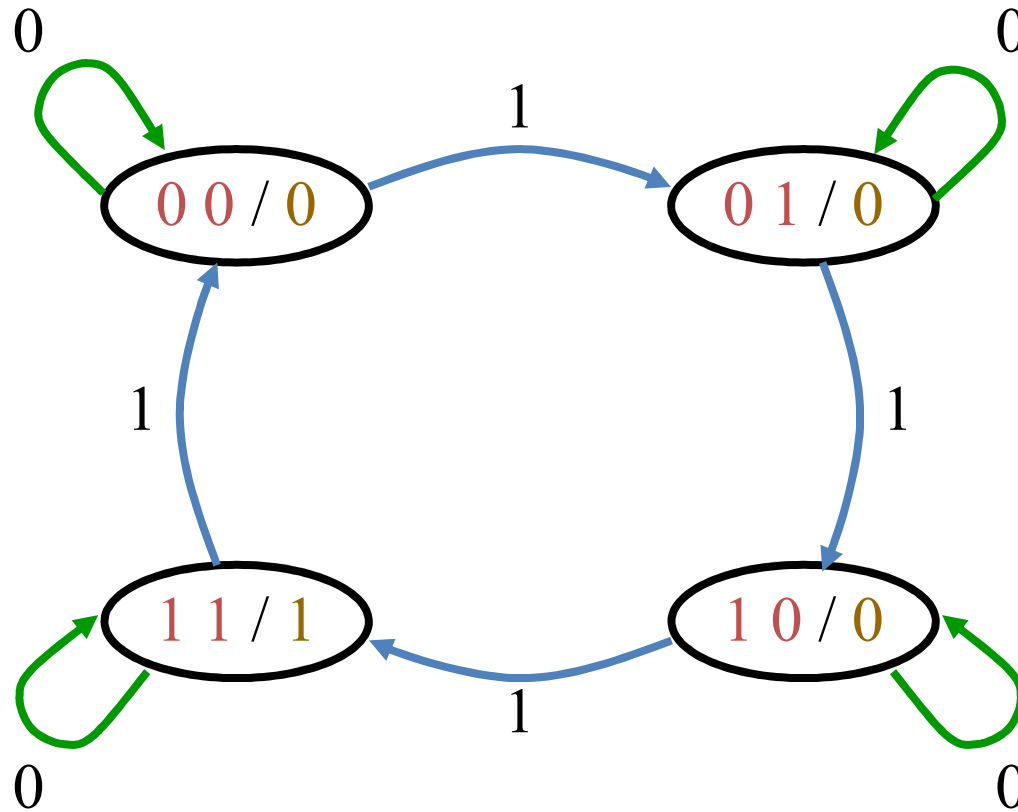
# Meelay Diagram

Input / Output

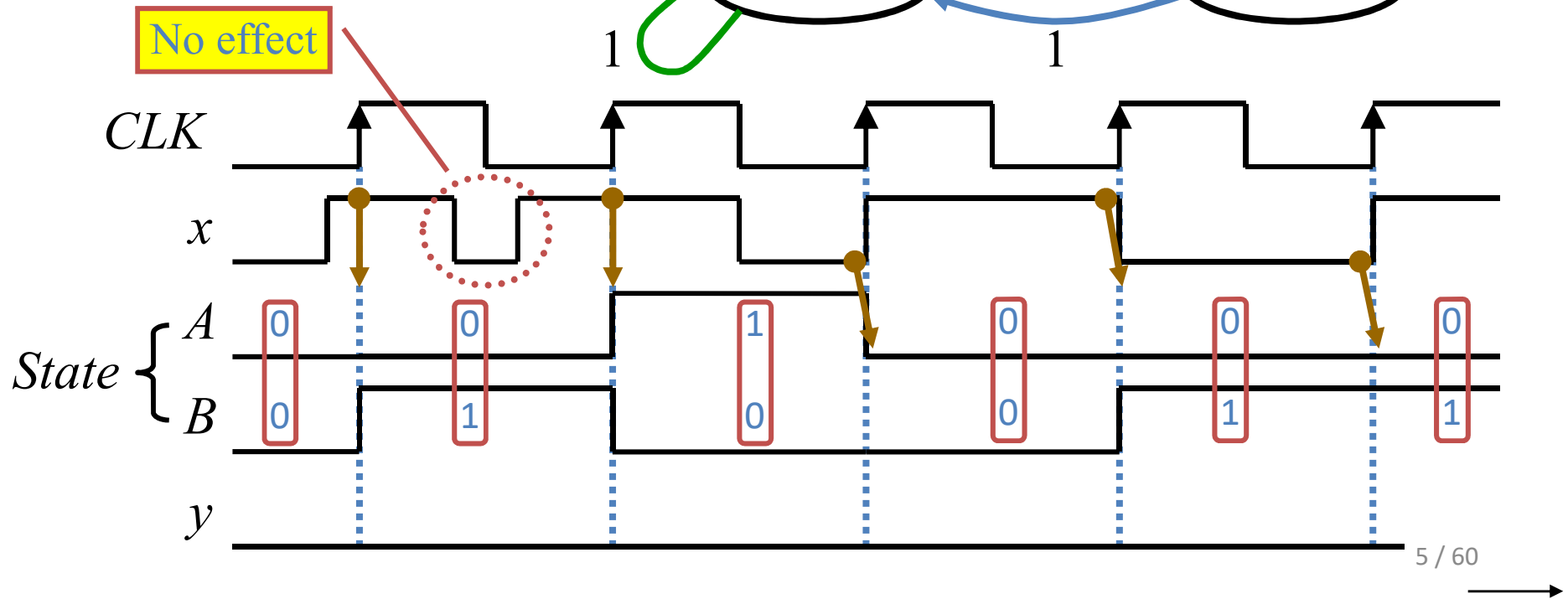
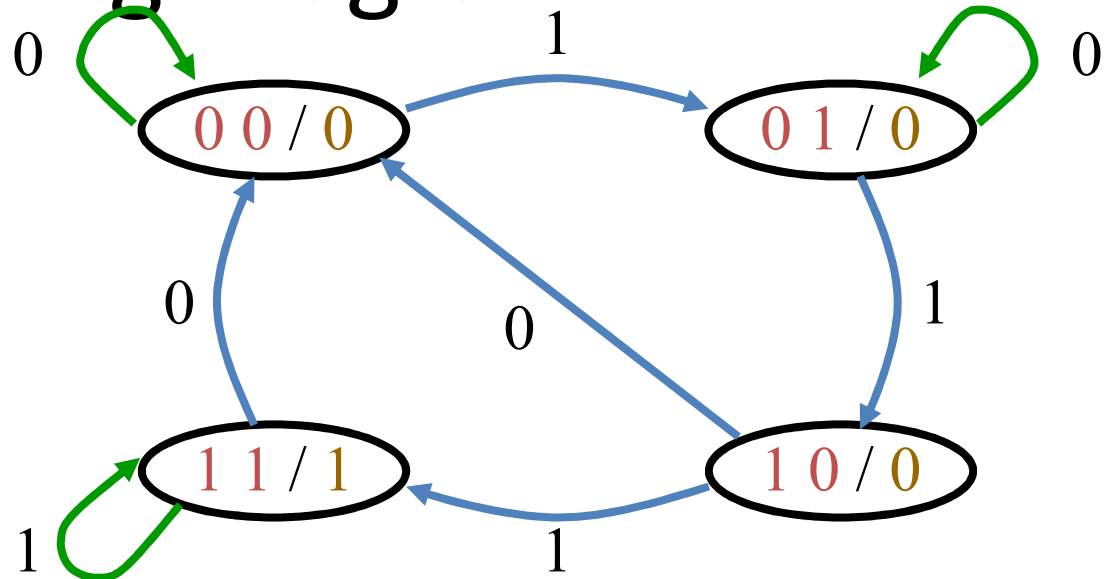
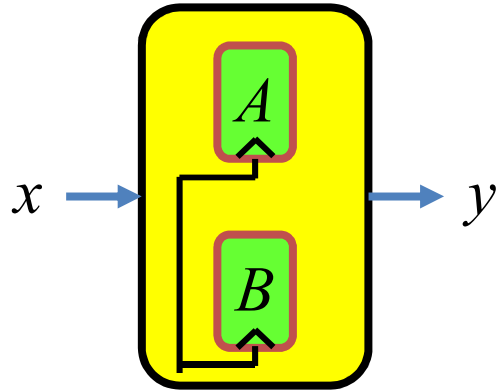


# Moore State Diagram

State / Output



# Timing Diagram



# Timing Diagram

