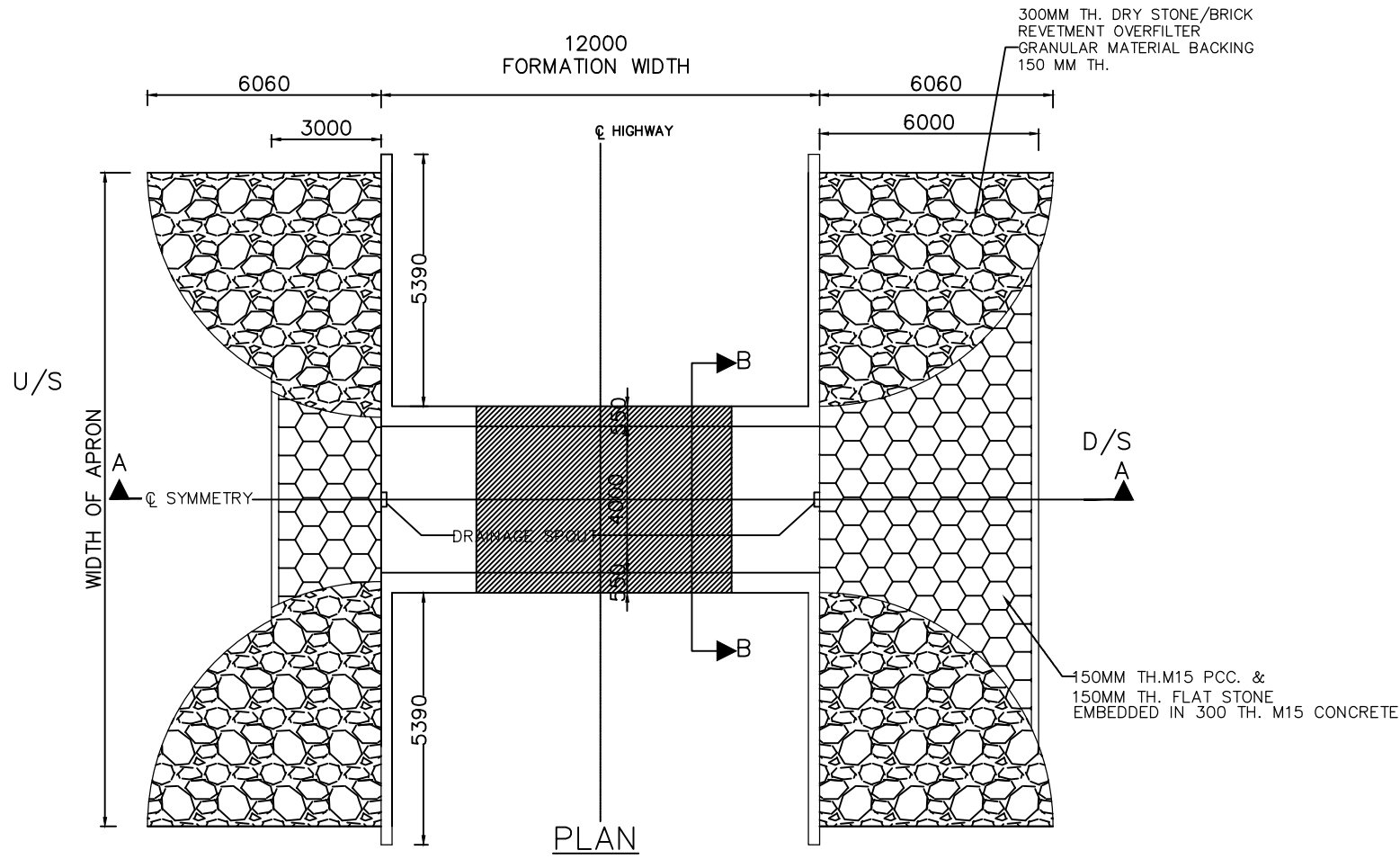
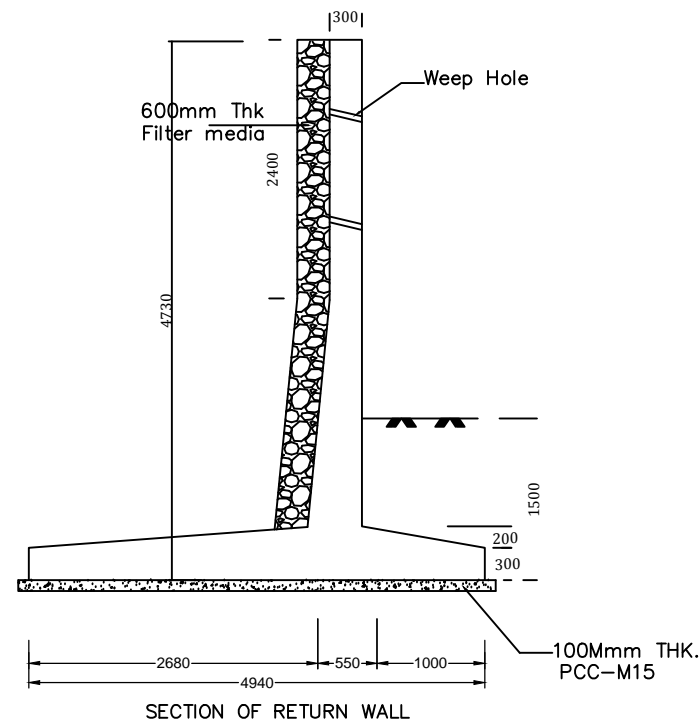


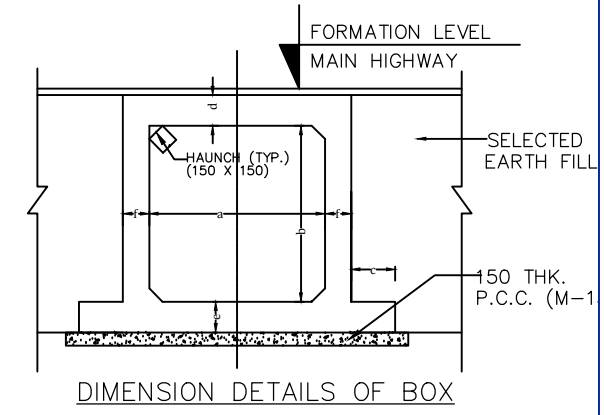
**DETAIL - P**



**PLAN**



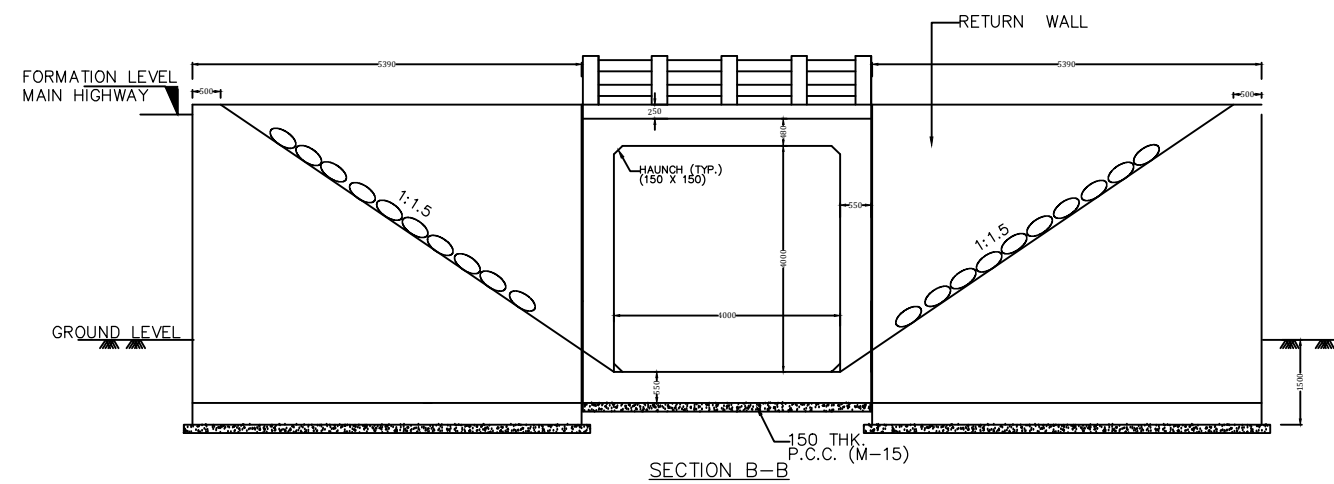
**SECTION OF RETURN WALL**



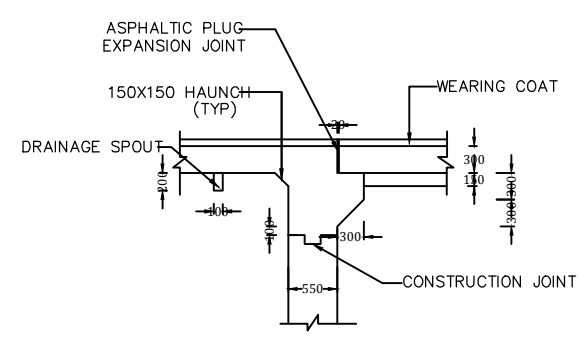
**DIMENSION DETAILS OF BOX**

**NOTES:**

1. ALL DIMENSIONS ARE IN MM & LEVELS ARE IN METER.
  2. ONLY WRITTEN DIMENSIONS ARE TO BE FOLLOWED, DO NOT SCALE THE DIMENSIONS.
  3. LOOSE / UNSUITABLE SOIL BELOW BOX CULVERTS IS REPLACED WITH SUITABLE GRANULAR MATERIAL.
  4. IN CASE DEPTH OF EARTH FILLING BETWEEN THE TOP OF THE CULVERT AND THE BOTTOM OF THE PAVEMENT CRUST IS LESS THAN 500 MM, THIS LAYERS IS REPLACED WITH GRANULAR SUB BASE.
  5. CHAINAGE / FORMATION LEVEL IS PROVIDED AS PER APPROVED PLAN & PROFILE DRAWING.
  6. FOR CULVERTS SKEW TO THE TRAFFIC DIRECTION LENGTH OF CULVERT SHALL BE ADJUSTED AS PER SITE CONDITION.
  7. FOR REINF. DETAILS OF RETURN WALL REFER SEPARATE DRAWING.
  8. IN CASES WHERE INVERT LEVEL IS HIGHER THAN GROUND LEVEL AT ENDS OF CULVERT OR WHERE UNSUITABLE SOIL IS TO BE REPLACED BY GRANULAR MATERIAL, PROVIDE ADEQUATE CUT OFF WALLS AT ENDS OF CULVERT TO PREVENT SCOUR/EROSION.
- IN CASE ALLOWABLE SOIL BEARING CAPACITY IS LESS THAN ACTUAL BEARING PRESSURE THE SOIL SHOULD BE STABILIZED TO ACHIEVE SAME.



**SECTION B-B**



**DETAIL - A**

**TABLE SHOWING SALIENT DIMENSIONS**

BOX/TYPE	WIDTH a (mm)	HEIGHT b (mm)	THICKNESS c (mm)	THICKNESS d (mm)	THICKNESS e (mm)	THICKNESS f (mm)	NET BEARING CAPACITY T/M <sup>2</sup>
1/44/0	4000	4000	1200	480	550	550	11.07

CLIENT OFFICE OF THE EXECUTIVE ENGINEER KEONJHAR (R & B) DIVISION KEONJHAR	PROJECT IMPROVEMENT OF BARBIL-KIRIBUR ROAD (ODR) FROM RD 0/0 TO 16/000 KM IN THE DISTRICT OF KEONJHAR UNDER STATE PLAN	NAME OF THE ROAD BARBIL TO KIRIBUR	TITLE Box culvert WIDENING	DESIGN CONSULTANT <b>CONFIANCE INFRA TECH MANAGEMENT PVT. LTD.</b> (Architects, Engineers, Surveyors & Consultants) ADDRESS: PLOT NO-2093, 3RD FLOOR, BIJU PATNAIK COLLAGE ROAD, JAYDEV VIHAR BHUBANESWER, ODISHA-751013. Ph - +91-9040044991, +91-8093804309 Email: confin.infra.tech@gmail.com	Scale:- NTS	Dsgn. by	DATE
						Chkd. by	DRG. NO.
						Aprvd. by	