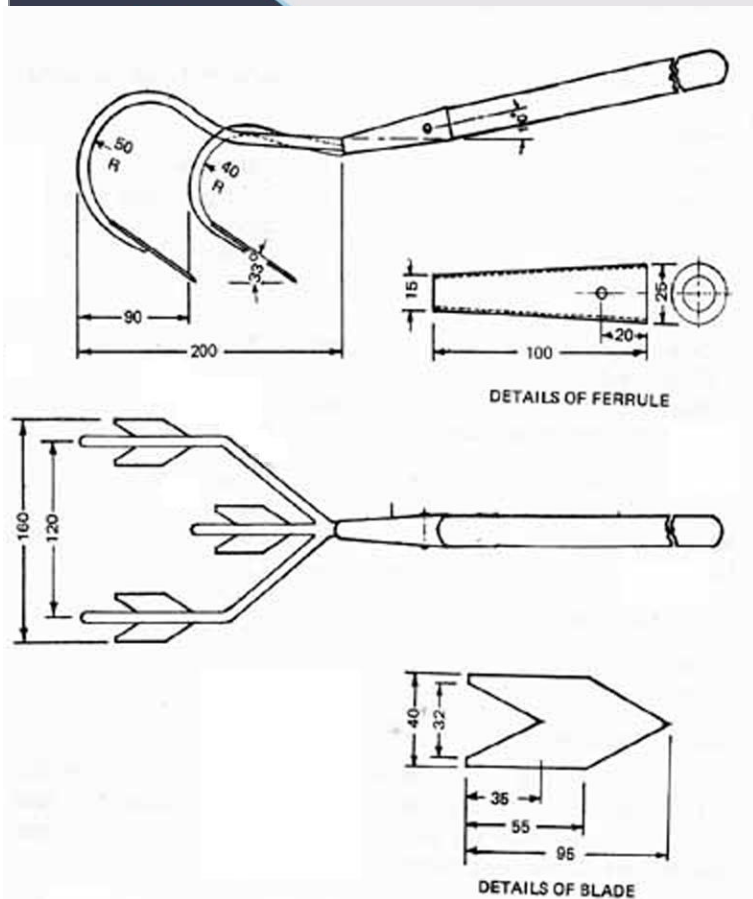


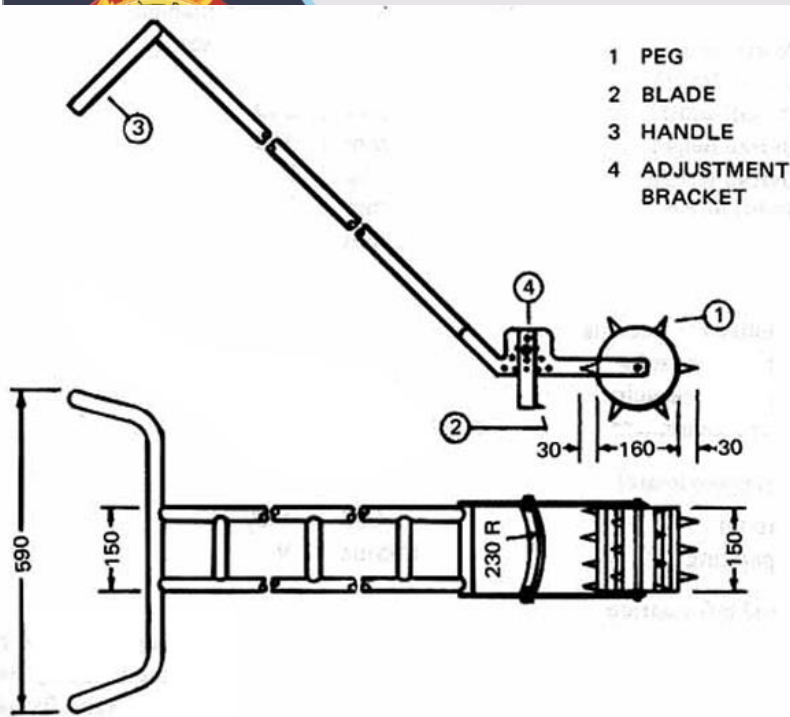
## V-Blade hoe

<b>Type</b>	<b>: Pull type,</b>
<b>Power source</b>	<b>: 1 person</b>
<b>Overall Length</b>	<b>: 160 cm</b>
<b>Overall width</b>	<b>: 15 cm</b>
<b>Overall height</b>	<b>: 22 cm</b>
<b>Weight</b>	<b>: 2 kg</b>
<b>Width of cut</b>	<b>: 13 cm</b>
<b>Maximum depth</b>	<b>: 4 cm</b>
<b>Actual F.C</b>	<b>: 0.004 ha/hr</b>
<b>Man hour Req.</b>	<b>: 225</b>
<b>Suitability for crop</b>	<b>: Upland crops.</b>
<b>Suitability for soil</b>	<b>: Light soil.</b>



## Three tine hoe or Grubber

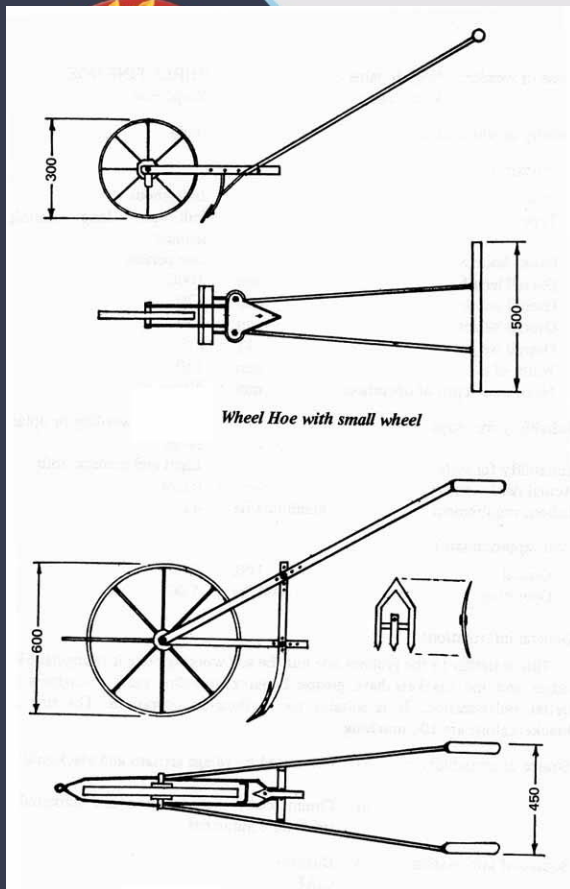
<b>Type</b>	<b>: Pull type manual</b>
<b>Power source</b>	<b>: One person</b>
<b>Overall Length</b>	<b>: 120-150 cm</b>
<b>Overall width</b>	<b>: 59 cm</b>
<b>Overall height</b>	<b>: 22 cm</b>
<b>Weight</b>	<b>: 4 kg</b>
<b>Width of cut</b>	<b>: 15 cm</b>
<b>MOD</b>	<b>: 3 cm</b>
<b>Actual field capacity</b>	<b>: 0.013 ha/h</b>
<b>Man hour requirement.</b>	<b>: 76 man-h/ha</b>
<b>Suitability for crop</b>	<b>: For surface mulch in row crops</b>
<b>Suitability for soil</b>	<b>: Silty clay and clayey soil.</b>



**Rotary peg weeder**

<b>Type</b>	<b>: Rotary push type</b>
<b>Power source</b>	<b>: One person</b>
<b>Overall Length</b>	<b>: 120-150 cm</b>
<b>Overall width</b>	<b>: 59 cm</b>
<b>Overall height</b>	<b>: 22 cm</b>
<b>Weight</b>	<b>: 4 kg</b>
<b>Width of cut</b>	<b>: 15 cm</b>
<b>M.D.O</b>	<b>: 3 cm</b>
<b>A.F.C</b>	<b>: 0.013 ha/h</b>
<b>Man hour</b>	<b>: 76 man-h/ha</b>
<b>Suitability for crop</b>	<b>: For surface mulch in row crops</b>
<b>Suitability for soil</b>	<b>: Silty clay and clayey soil.</b>

**M.O.D: Max. depth of operation**



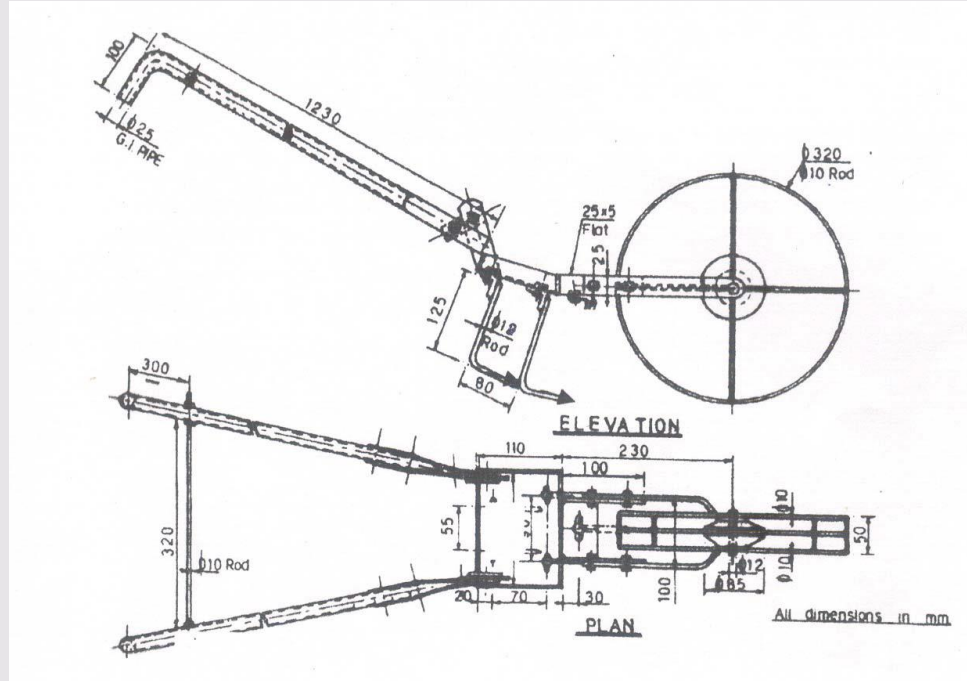
Wheel hoe

<b>Type</b>	<b>: Push type</b>
<b>Power source</b>	<b>: One person</b>
<b>Overall Length</b>	<b>: 150 cm</b>
<b>Overall width</b>	<b>: 45-50 cm</b>
<b>Overall height</b>	<b>: Small: 30 cm, Large:</b>
<b>Weight</b>	<b>50 cm</b>
<b>Width of cut</b>	<b>: 10-12 Kg</b>
<b>Maximum D.O</b>	<b>: Adjustable (6 cm)</b>
<b>Actual field capacity</b>	<b>: 16 ha/h</b>
<b>Man-hour requirement.</b>	<b>: 62 man-h/ha</b>
<b>Suitability for crop</b>	<b>: Upland row crop</b>
<b>Suitability for soil</b>	<b>: Light and medium soil</b>

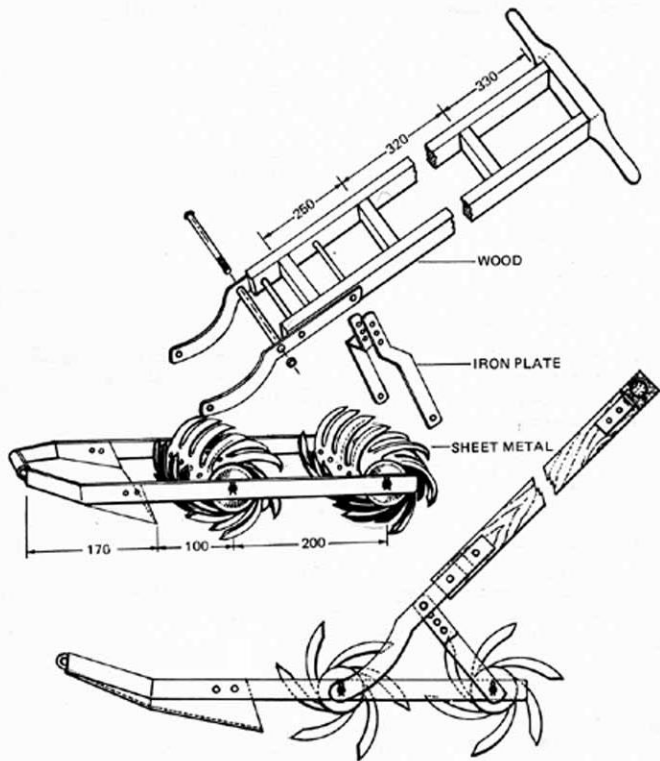


**Centurion**  
**UNIVERSITY**  
Shaping Lives...  
Empowering Communities...

# Wheel finger weeder



	Field capacity, ha/h	Plant damage, %	Weeding efficiency, %	Pushing force, kg	Performance index
	<b>0.0315</b>	<b>6.48</b>	<b>77.20</b>	<b>12.8</b>	<b>2673.94</b>



**Japanese  
paddy weeder**

<b>Type</b>	<b>: Rotary, Manual type</b>
<b>Power source</b>	<b>: One person</b>
<b>Overall Length</b>	<b>: 120 cm</b>
<b>Overall width</b>	<b>: 14 cm</b>
<b>Overall height</b>	<b>: 25 cm</b>
<b>Weight</b>	<b>: 4 kg</b>
<b>Width of cut</b>	<b>: 13 cm</b>
<b>Maximum depth</b>	<b>: 15 cm</b>
<b>Actual field capacity</b>	<b>: 0.014 ha/hr</b>
<b>Labour requirement</b>	<b>: 86 Man-hr/ha</b>
<b>Suitability for crop</b>	<b>: For transplanted paddy crop.</b>
<b>Suitability for soil</b>	<b>: Wet land and puddled land.</b>





Centurion  
UNIVERSITY



CONO WEEDER



MANDVA WEEDER



CONO WEEDER



JAPANESE WEEDER







**CONO WEEDER**



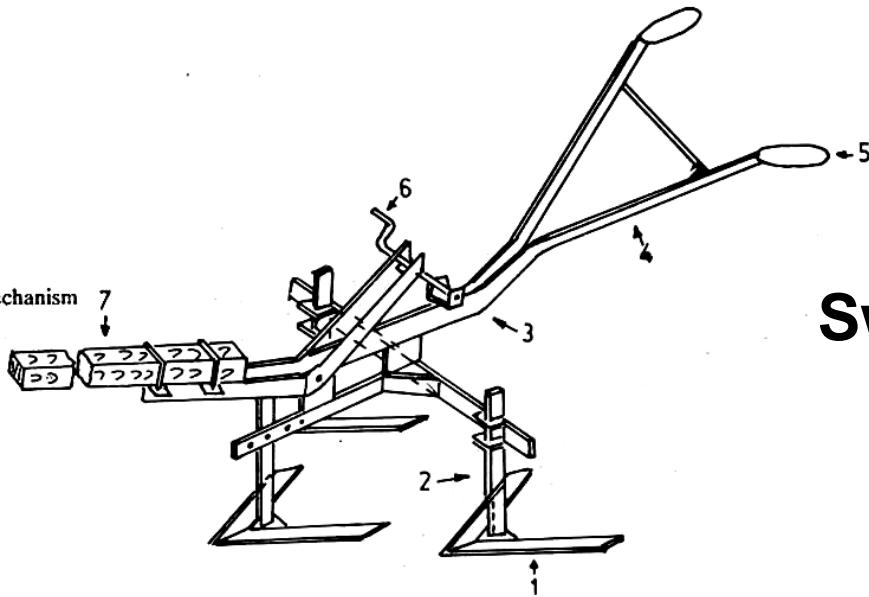
**MANDVA WEEDER**





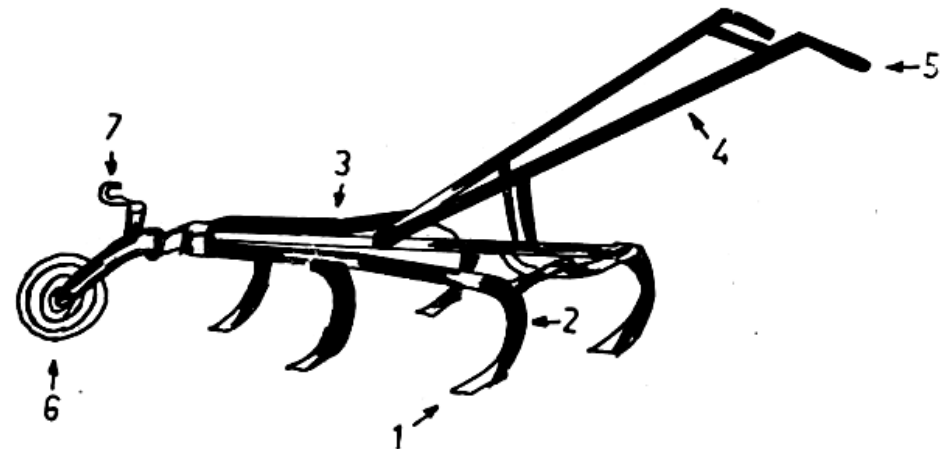
# Animal drawn weeder

1. Sweep
2. Standard
3. Frame
4. Handle
5. Grip
6. Angling mechanism
7. Beam



## Sweep cultivator

1. Shovel
2. Tine/standard
3. Frame
4. Handle
5. Grip
6. Gauge wheel
7. Hook

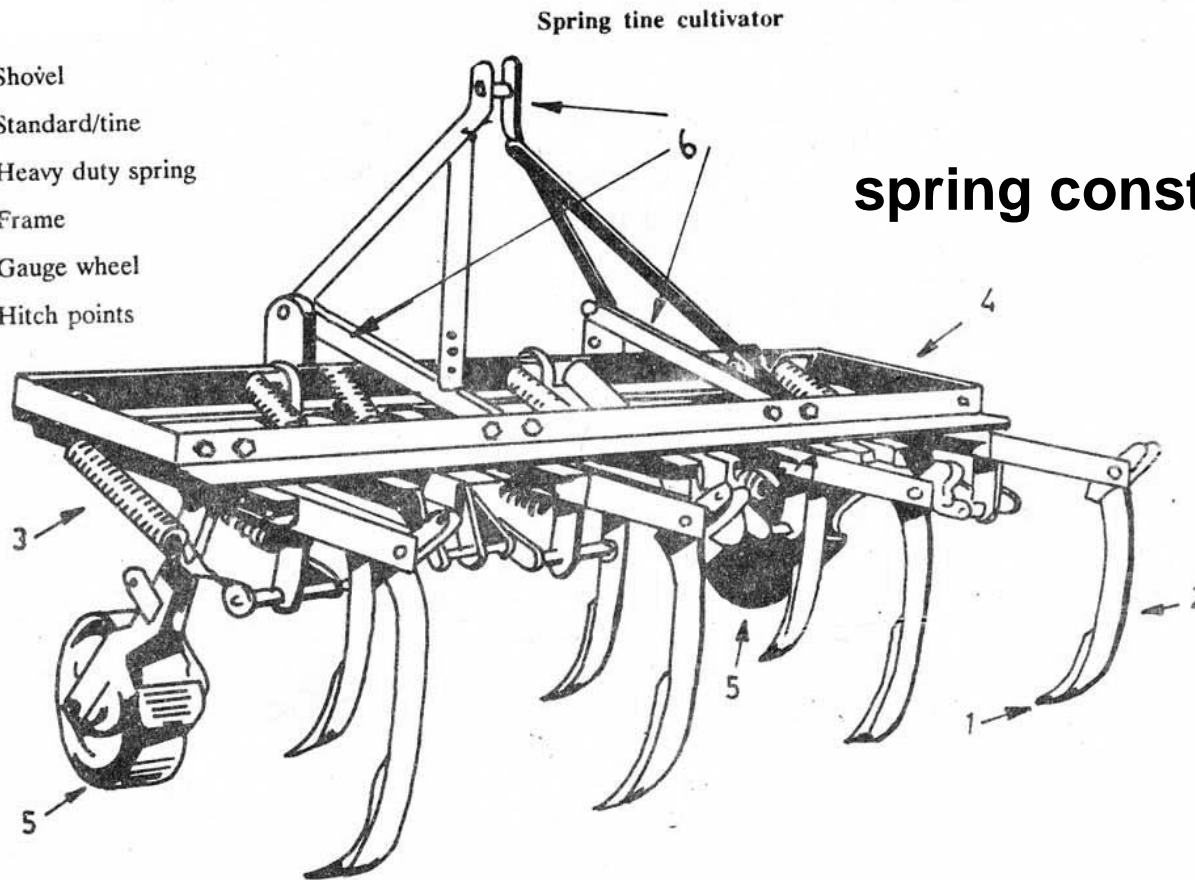


## Rigid tine cultivator



# Tractor drawn weeder

1. Shovel
2. Standard/tine
3. Heavy duty spring
4. Frame
5. Gauge wheel
6. Hitch points



**spring constant of 7kgf/mm.**

**Tractor drawn cultivator**