



Centurion  
UNIVERSITY

# Mechanical separation: Fundamental Involved in Separation

**DEPARTMENT OF AGRICULTURAL ENGINEERING, SoABE  
CENTURION UNIVERSITY OF TECHNOLOGY AND MANAGEMENT  
PARALAKHEMUNDI, ODISHA**



Centurion  
UNIVERSITY

# Outline



Introduction



Gas Solid separation



Liquid solid separation



- **Gas Solid Separations**

- Purpose of dust collection
- Cyclone separator
- Venturi Scrubbers

- **Liquid Solid separations**

Clarifiers

Rectangular clarifiers

Tilted plate clarifiers

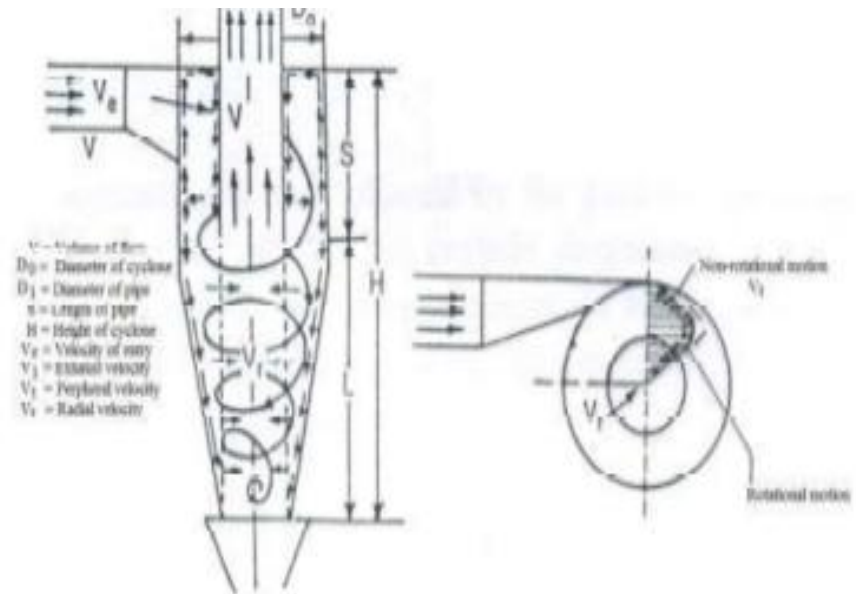


Fig.8.1 Cyclone separator



Centurion  
UNIVERSITY

Thank you