



Centurion
UNIVERSITY

Packaging machines for Dairy products

**DEPARTMENT OF AGRICULTURAL ENGINEERING, SoABE
CENTURION UNIVERSITY OF TECHNOLOGY AND MANAGEMENT
PARALAKHEMUNDI, ODISHA**



Centurion
UNIVERSITY

Outline

Introduction

- Sequence of operation
- Controls

Film feed circuit

UHT milk packaging machine

Tetra brick aseptic machine

Pulltab unit

Aseptic chamber



Centurion
UNIVERSITY

Packaging machines for milk products

Cheese packaging

Specific application

Machine type

- Chamber packing machines
- Small chamber machine
- Double chamber
- Big Chamber
- Rotating chamber machine
- Tray sealing machine
- InertGas Flushed packaging
- Vacuum packaging



Film Feed Circuit

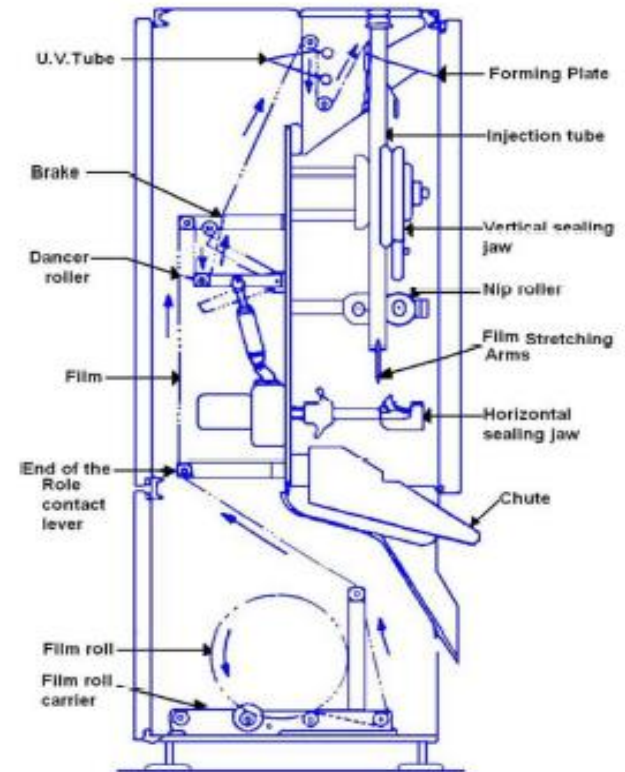
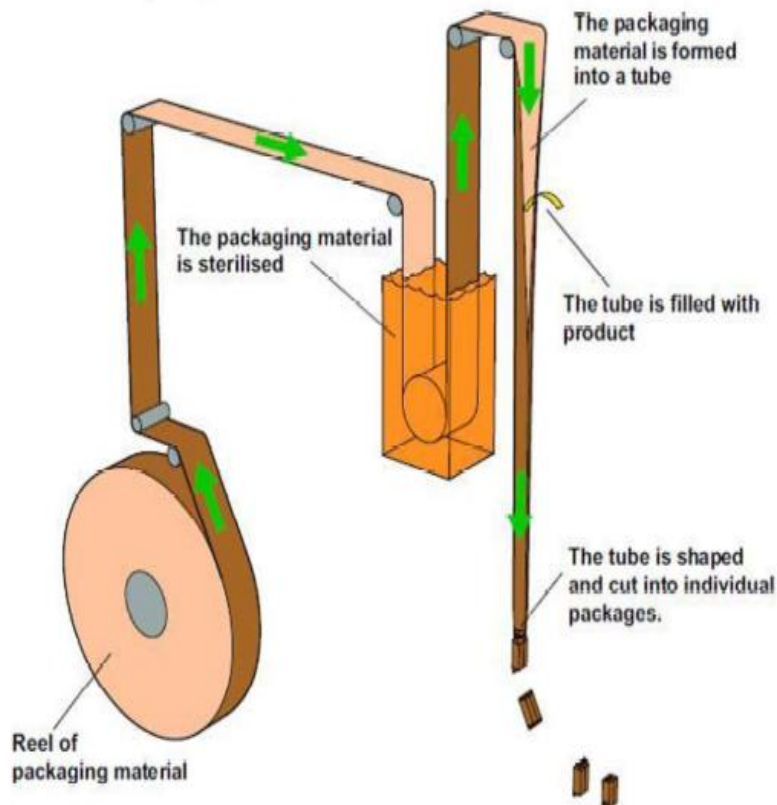


Fig .2 Film feed Circuit



UHT Milk Packaging machine

- Filling is done in absolutely aseptic condition
- The filling room is kept in a positive pressure, and the air inlet is through HEPA filters.



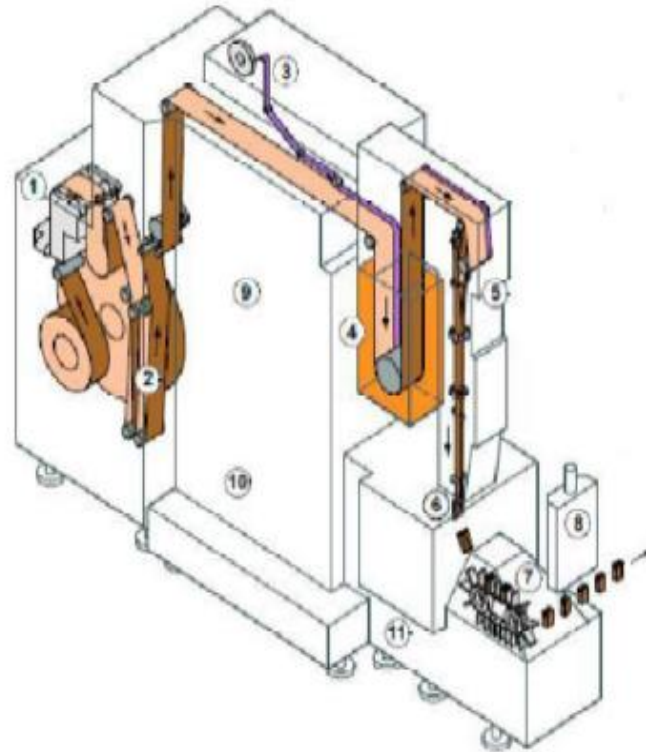


Fig: Tetra Brik Aseptic (TBA)filling machine.



Cheese packaging



Fig. 25.1 Different types of cheeses



Fig. 25.2 Different types of wrapped cheeses



Fig. 25.3 Cheeses packing machine



Fig. 25.5 Chamber packing machine (medium size)



Centurion
UNIVERSITY



Fig. 25.8 High speed rotary chamber machine



Centurion
UNIVERSITY

Thank you