

Dymola Hands-on

Designing an electrical transformer using Catia involves creating a detailed model of the transformer, considering various design parameters and specifications. Here are some descriptive notes on the process:

Transformer Overview:

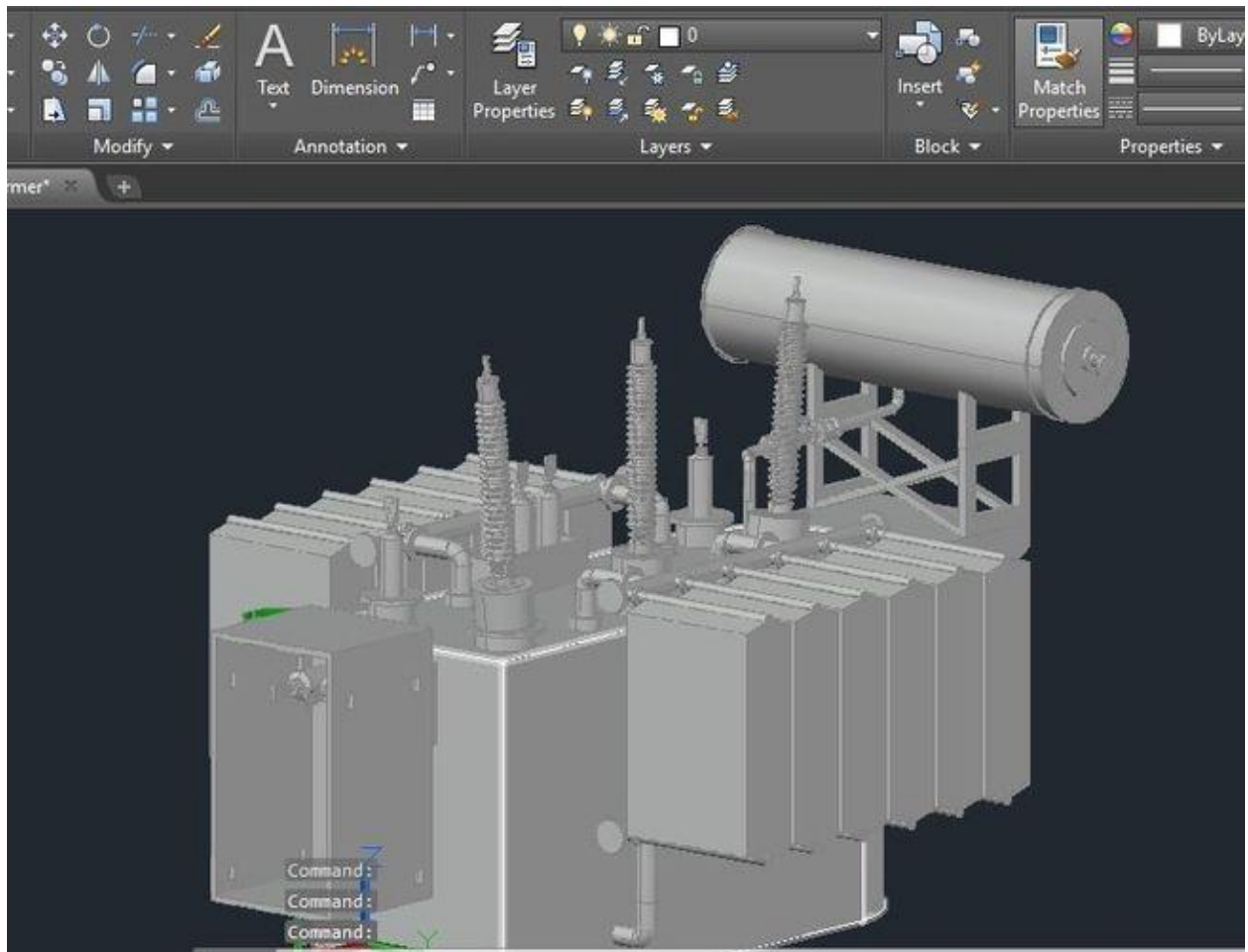
A transformer is an electrical device used to transfer electrical energy between two or more circuits through electromagnetic induction.

It consists of two or more coils of wire (windings) and a core made of ferromagnetic material, such as laminated iron or steel, to enhance magnetic coupling.

Catia Software:

Catia is a powerful computer-aided design (CAD) software used extensively in various industries, including electrical engineering.

It provides a range of tools and features to create precise 3D models, simulate designs, and generate engineering drawings.



Design Considerations:

Before starting the design process, gather the necessary specifications, such as power rating, voltage levels, current ratings, and frequency.

Determine the transformer's core material, size, and shape based on the desired efficiency, magnetic properties, and space constraints.

Select appropriate insulation materials for the windings to ensure electrical safety and reliability.

Consider factors like cooling requirements, noise reduction, and mechanical stability.

3D Modeling:

Begin by creating a new project in Catia and defining the units of measurement.

Use Catia's sketching tools to draw the transformer's core shape, such as a rectangular or circular cross-section.

Extrude the sketches to create the 3D core shape, considering the laminated structure and insulation layers if applicable.

Create separate models for the primary and secondary windings, specifying the number of turns, wire gauge, and insulation thickness.

Position the windings on the core, ensuring proper alignment and coupling between them.

Assembly and Connections:

Assemble the core, windings, and other components together in Catia, simulating their physical arrangement.

Include additional components like tap changers, cooling systems, bushings, and terminal connections.

Create accurate representations of these components, considering their dimensions, positions, and electrical connections.

Simulation and Analysis:

Utilize Catia's simulation capabilities to analyze the transformer's performance, such as magnetic flux distribution and losses.

Perform electromagnetic simulations to evaluate the transformer's efficiency, voltage regulation, and inductance values.

Validate the design against industry standards and regulations to ensure compliance and safety.

Documentation and Drawings:

Generate detailed engineering drawings of the transformer using Catia's drafting tools.

Include dimensions, annotations, and other relevant information required for manufacturing and assembly.

Prepare documentation, such as design reports and bill of materials, to maintain a record of the transformer's specifications.

Iterative Design:

Transformer design often involves an iterative process, where you refine the model based on analysis results and design constraints.

Make adjustments to the core shape, windings, or other components to optimize performance, reduce losses, or meet specific requirements.