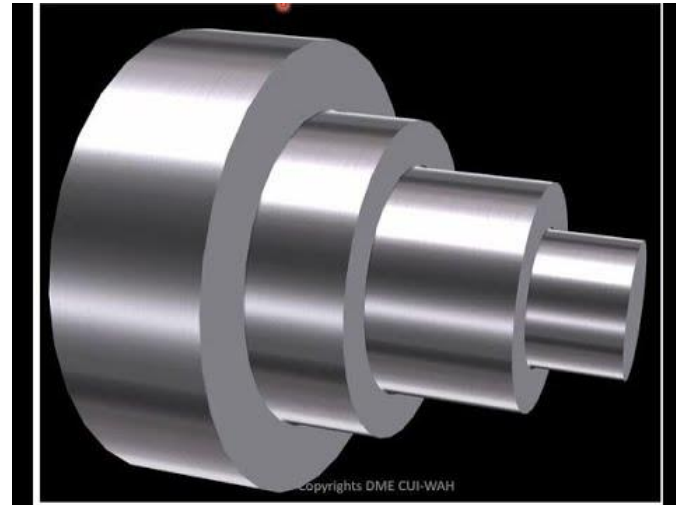


CONVENTIONAL MACHINES

Machining

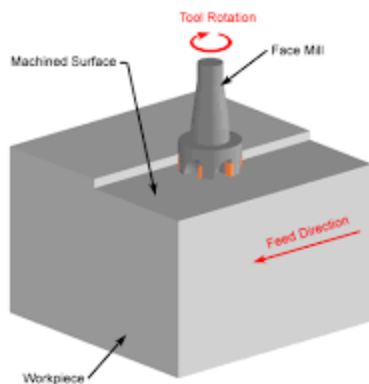
- ***Machining*** Is a metal removing process, it removes material & decreases the material mass hence this is a subtractive Process.
- It is performed to give required shape to the product.



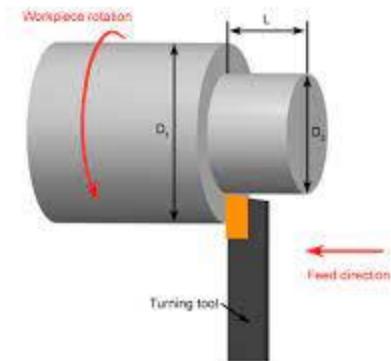
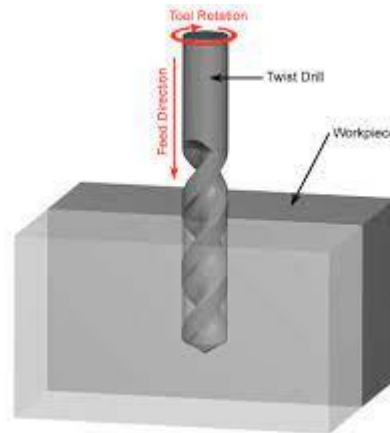
Conventional Machining Process

- Is a machining process in which the machining carryout with the traditional method means not using an advanced method for the machining.
- In this process sharp point cutting tools are used for machining.
- Cutting tool materials are harder then work piece material.

- Cutting tool is always directly contact with the work piece.
- The cutting tool is used against rotary or stationary work piece for the material removal.



Copyright © 2007 CustomPartket



Copyright © 2007 CustomPartket

Some Examples of Conventional m/c:-

- Lathe Machine
- Milling Machine
- Vertical drilling Machine
- Grinding Machine

Advantages:-

- Different materials can be machined.
- Easy setup of the equipments.
- Less capital cost.

Disadvantages:-

- Less surface finish.
- Complex shapes can't be machined.
- More tool wear.
- Lower Dimensional accuracy.
- Noisy operation.

Some of the operations performed by conventional machining process

- Making a hole in work piece by drilling m/c.
- Turning, step turning, facing on Lathe m/c.