



# EMI and EMC

By

Dr P A Sunny Dayal

Associate Professor, Dept of ECE,  
Centurion University of Technology and Management

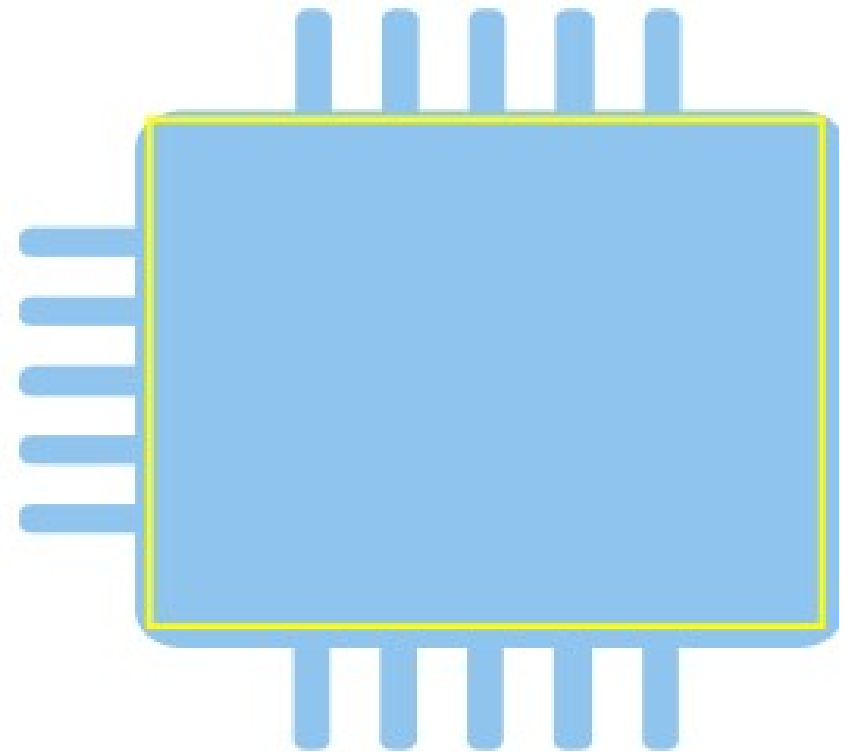
# 01. What is EMC AND EMI ?

**EMC: Electromagnetic Compatibility**

**EMI: Electromagnetic Interference**

# 01.What is EMC

For example:



**You don't want your mobile phone to inter-phase with TV or other electronic devices function.**

## 01.What is EMC

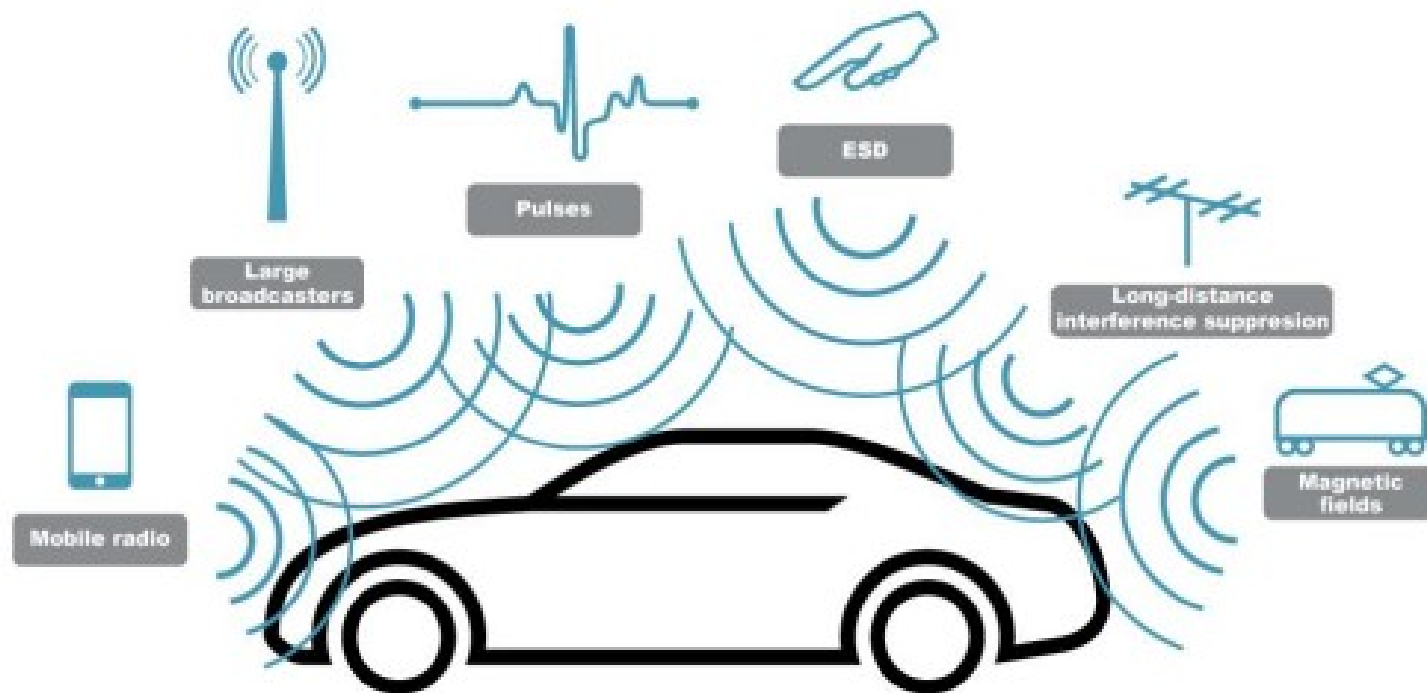


In the same way ,because TV or other device radiation your mobile phone should not malfunction.

**Describes How well your device can function in its environment without causing any unwanted effects to surrounding equipments.**

# EMC

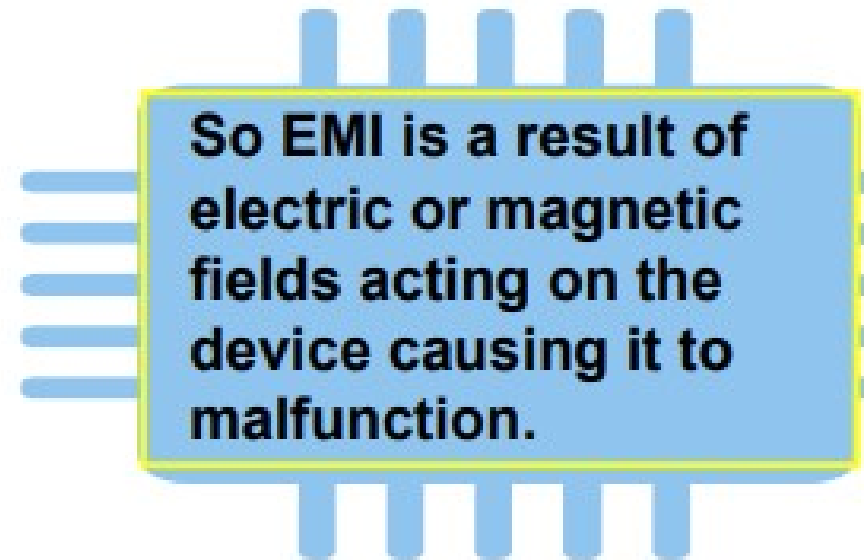
EMC: Electromagnetic Compatibility



## 02.What is EMI

This is an electronic emission that interferes with components ,RF system , and electronics device.

EMI can be the result of man made or natural occurrences.





## Why the Aeroplane crew say to switch off the mobile phone and laptops?

Because the radiation emitted by your mobile phone or laptop will disturb the aeroplane's high frequency operating communication network Equipment's.

While landing or takeoff the aeroplane will send signal to radar, that signal will be interrupted because of your noise generated by your mobile phone.

