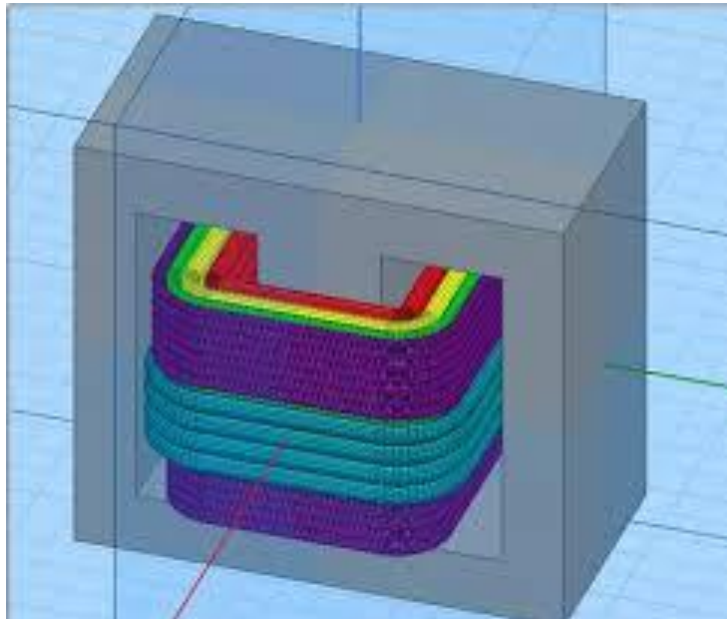
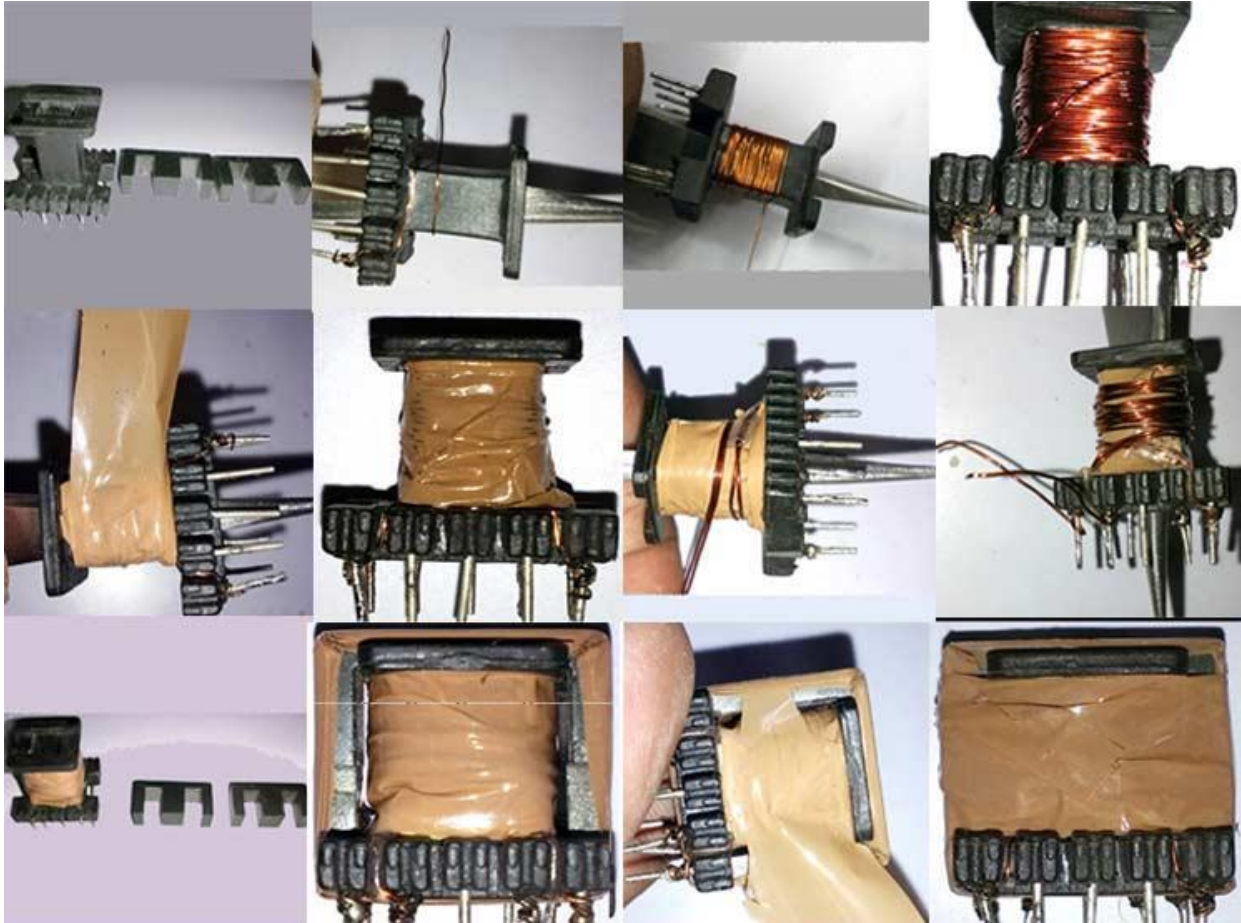


# Digital Design of Transformer

## I. Introduction to Digital Design of Transformer:

The digital design of transformers represents a significant advancement in the field of electrical engineering. It combines traditional transformer principles with digital control and monitoring techniques, resulting in enhanced performance, flexibility, and efficiency. Digital design encompasses various aspects of transformer operation, including the control algorithms, sensing mechanisms, and communication interfaces, all integrated into a cohesive system.





## II. Control and Monitoring in Digital Design:

In the realm of digital design, precise control and monitoring are key elements. Control algorithms are developed to regulate parameters such as voltage, current, and frequency, ensuring optimal performance under varying load conditions. These algorithms leverage advanced digital signal processing techniques and feedback loops to adjust the transformer's output based on real-time measurements.

Monitoring systems play a crucial role in digital transformer design. Sensors are strategically placed throughout the transformer to measure parameters like temperature, oil level, and winding conditions. The collected data is then processed digitally, allowing for predictive maintenance, early fault detection, and effective troubleshooting.

## III. Communication Interfaces and Networking:

Digital transformers employ various communication interfaces to facilitate seamless integration with power management systems and supervisory control networks. These interfaces can include protocols like Modbus, DNP3, IEC 61850, or proprietary protocols, depending on the application requirements.

Networking capabilities enable digital transformers to communicate with other devices within the power grid infrastructure. This allows for coordinated control and monitoring across multiple transformers, enabling advanced functionalities such as load balancing, fault isolation, and system optimization.

#### **IV. Benefits of Digital Design:**

The adoption of digital design in transformers brings forth several advantages. First and foremost, it enhances the transformer's efficiency and performance by enabling precise control, leading to improved voltage regulation, reduced losses, and optimized energy utilization. The ability to monitor real-time data also enables proactive maintenance, minimizing downtime and extending the transformer's lifespan.

Digital design provides increased flexibility and adaptability. Through remote configuration and software updates, parameters and control algorithms can be adjusted without physical intervention. This flexibility allows for easy integration into evolving smart grid environments and facilitates the integration of renewable energy sources, energy storage systems, and other distributed energy resources.

#### **V. Challenges and Future Directions:**

While digital design offers immense potential, it also presents challenges. Cybersecurity is a critical concern as digital transformers become more interconnected. Robust security measures need to be implemented to protect against cyber threats and unauthorized access to the transformer's control and monitoring systems.

The future of digital transformer design lies in leveraging emerging technologies such as artificial intelligence and machine learning. These technologies can enhance fault detection and diagnosis capabilities, optimize control algorithms in real-time, and enable self-healing functionalities.

In conclusion, the digital design of transformers represents a transformative approach to power distribution. By combining traditional transformer principles with digital control, monitoring, and communication, it unlocks a new realm of efficiency, adaptability, and intelligence in electrical grids.