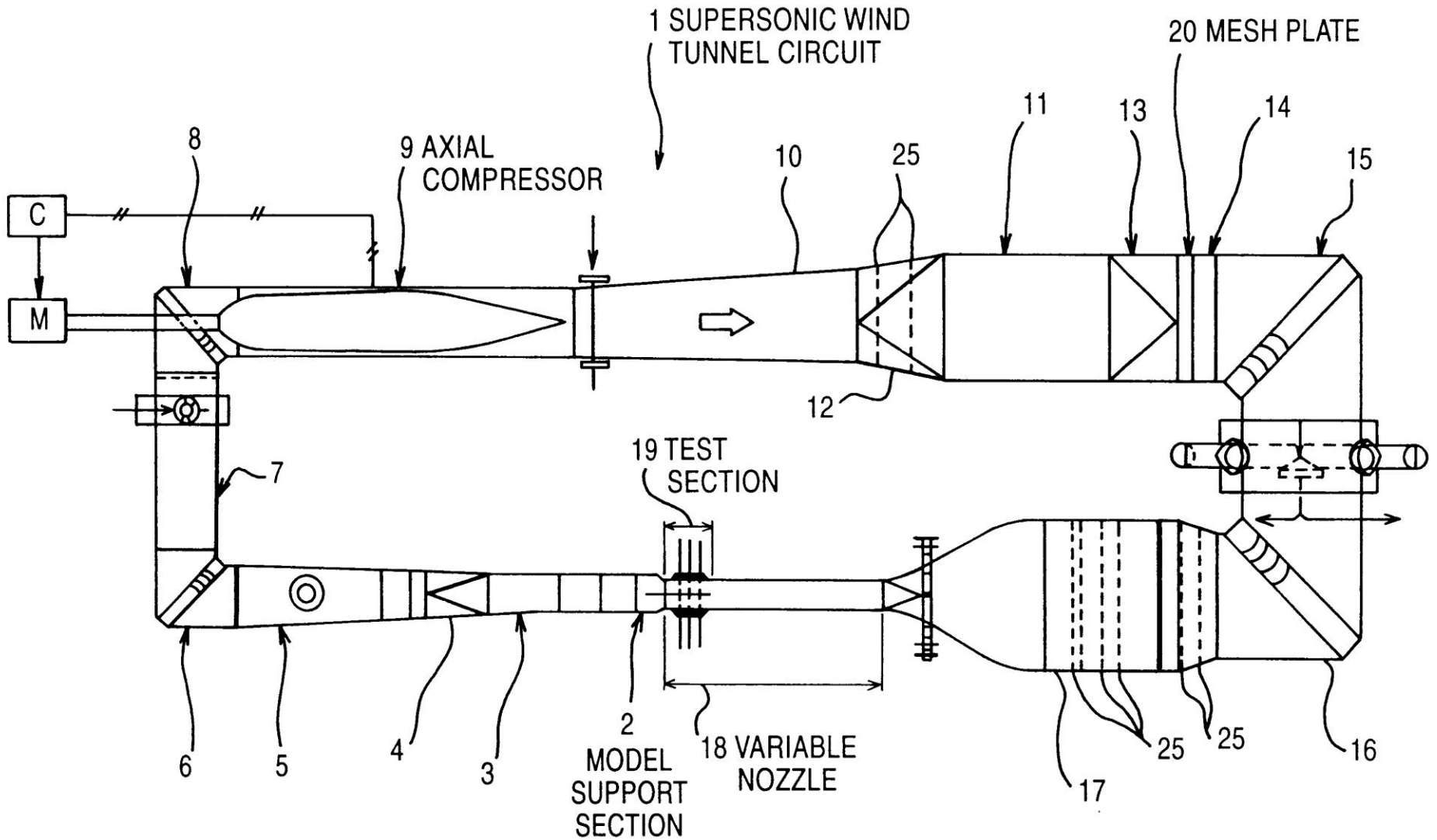


In Draft W/T

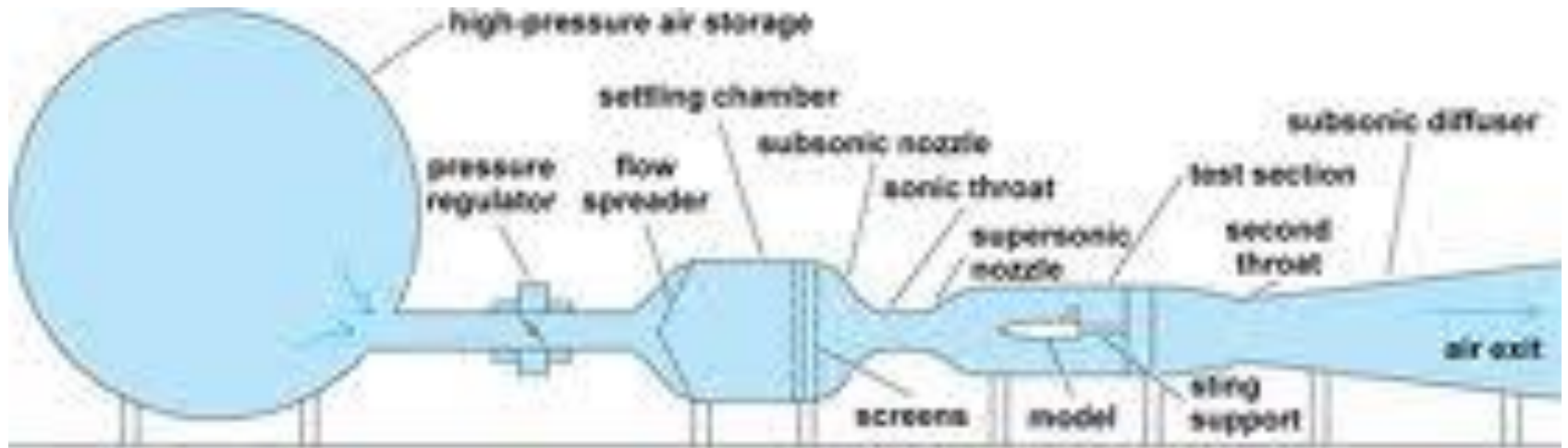
By

Sangram Samal

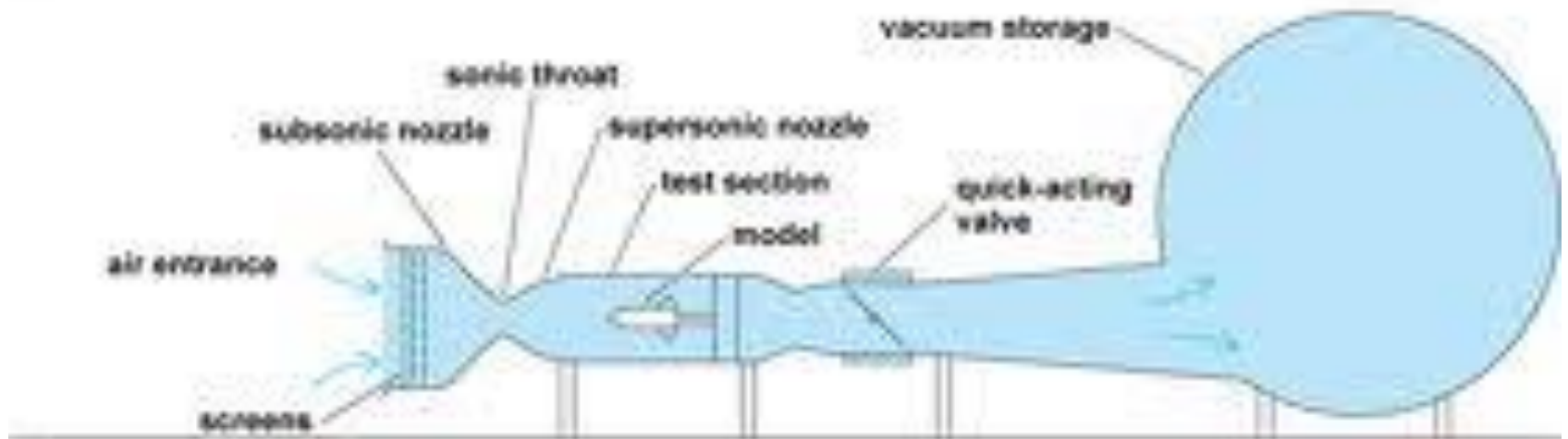
# Closed circuit, continuous flow supersonic wind tunnel



# Intermittent indraft wind tunnel



(a)



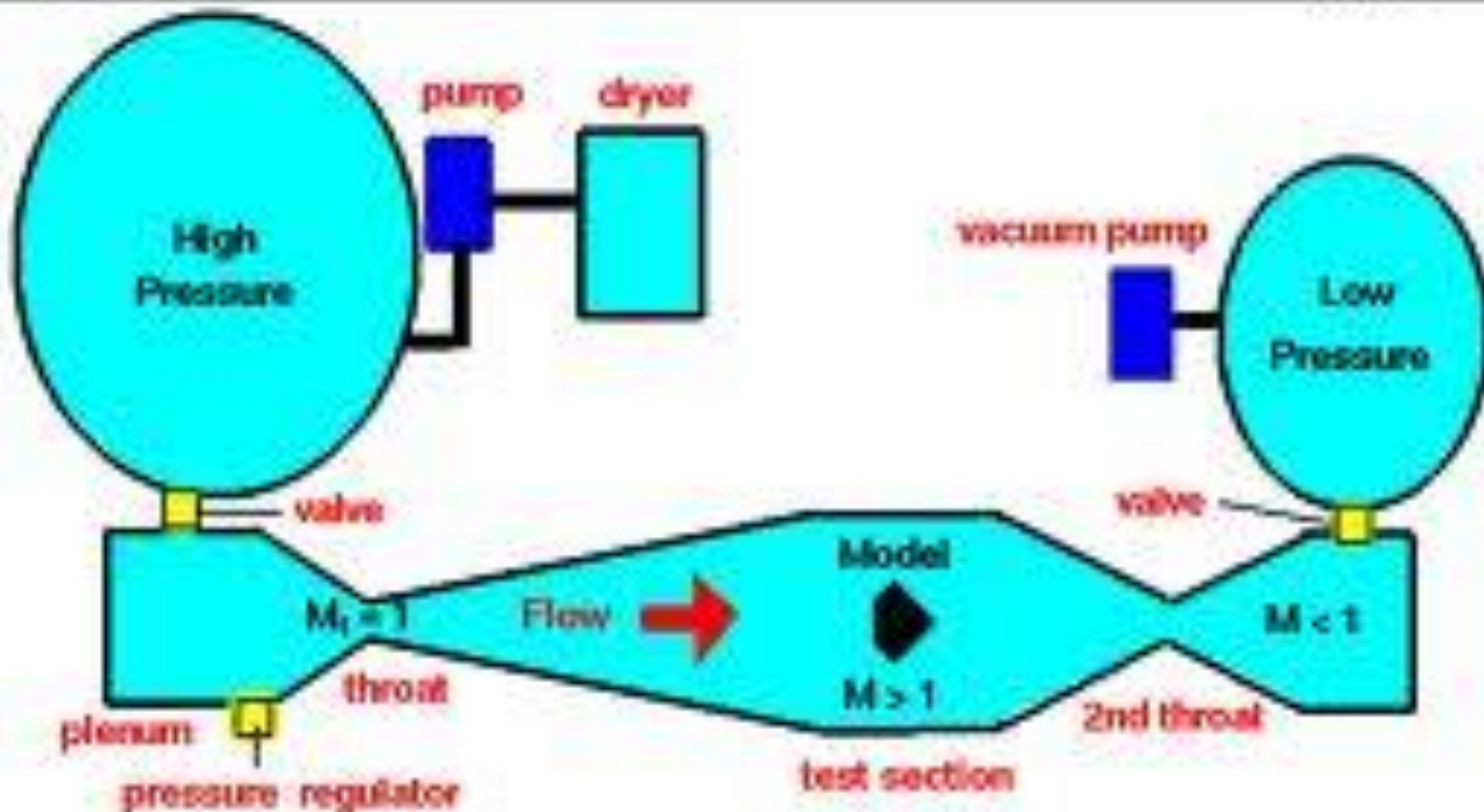
(b)

# Hypersonic pressure Intermittent vacuum tunnel



## Blowdown Wind Tunnel

Glenn  
Research  
Center



*Closed Configuration*

- The intermittent tunnel is used throughout the speed range
- Intermittent blow down and indraft tunnel are normally used for the Mach No from 0.5 to 5.0
- Pressures vacuum tunnel is used for higher Mach No

### **Advantage of intermittent tunnel**

- Simpler to design and less costly to build
- A single drive may easily run different tunnel with different capabilities
- Does not take more time to start the tunnel. In case of continuous W/T the time taken to pumping down the whole circuit is more
- Failure of model not result in tunnel damage

### **Advantage of continuous tunnel**

- More control on condition (Mach No)
- No panic for rapid testing
- Testing condition can kept constant for a long time