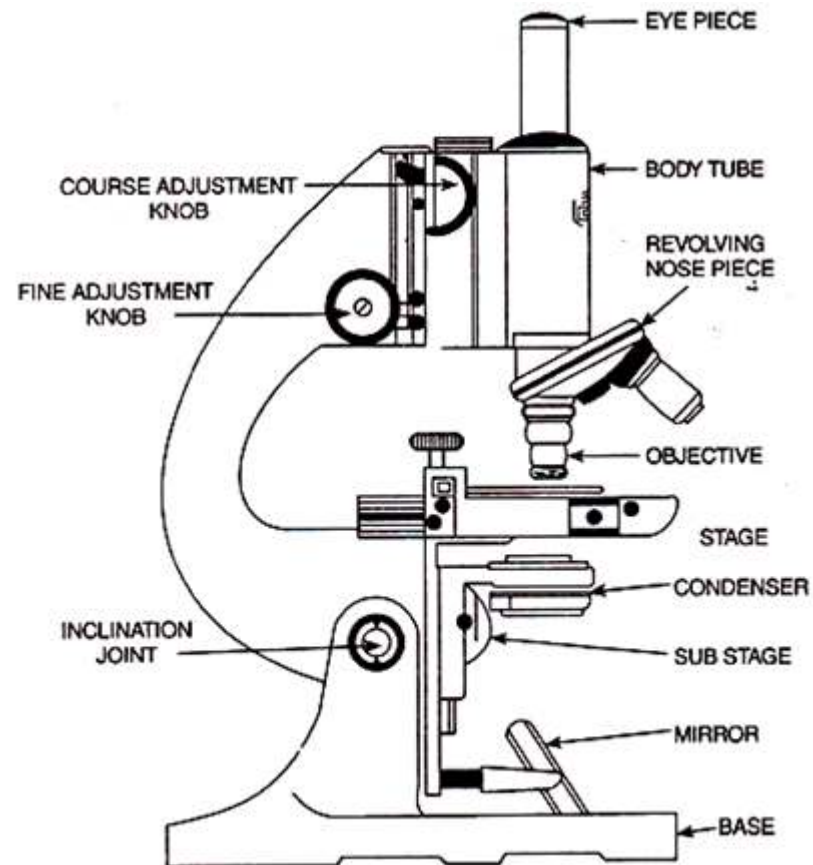


Microscope

A microscope is a tool or machine with the ability to increase the visual size of an object, making it easier to observe. Microbiology is usually concerned with organisms so small that they cannot be seen directly with the unaided eye. A microscope is very important for the study of microorganisms.



Use of the Microscope

Use of the microscope is acquired by practice. Certain steps should be taken into consideration while using a microscope. They are:

- Clean the microscope before use.**
- Place the microscope near a source of light.**
- Place the object on the stage, swing into place the objective you wish to use, and while watching from the side, lower it to a point just under the position it will have when in focus.**
- Secure proper amount of light by manipulating the mirror, sub stage, condenser and the diaphragm.**
- Focus first with the coarse, then with the fine adjustment until the object is clearly visible.**
- Maintain the focus by continual manipulation of the fine adjustment.**