

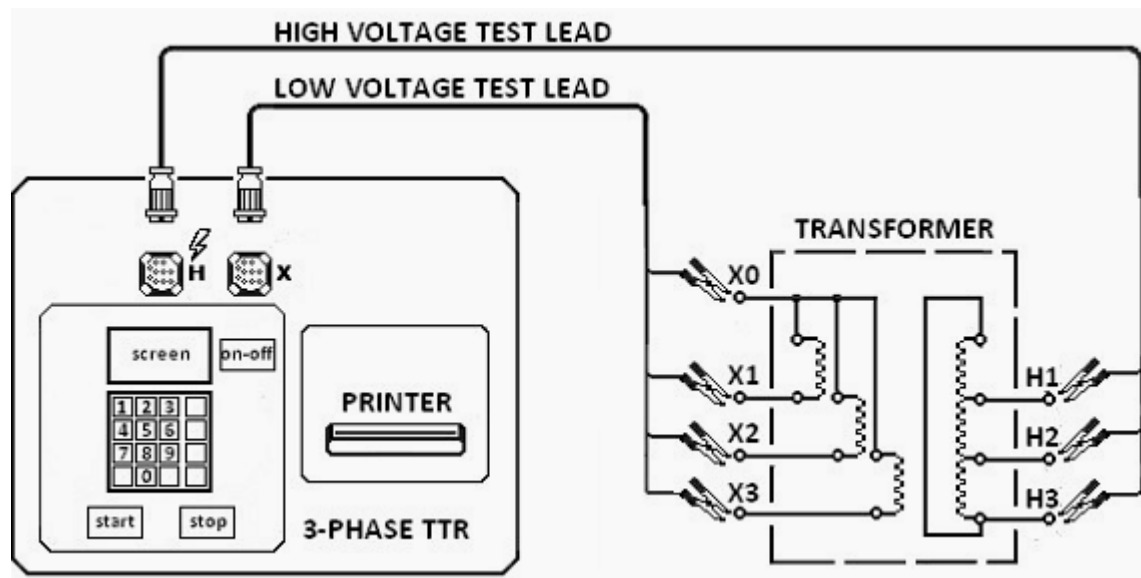
Title: Ratio Test of Transformer

Introduction:

The Ratio Test is an essential diagnostic tool for assessing the performance and efficiency of transformers.

It involves comparing the voltage and current ratios of the transformer's primary and secondary windings to determine if they adhere to the expected values.

The test helps identify any winding faults, turns ratio errors, or core defects in the transformer.



Equipment and Setup:

Transformer: Obtain a transformer to be tested. Ensure it is disconnected from any power source.

AC Power Source: Connect a suitable AC power source to the primary winding of the transformer.

Multimeter: Use a multimeter capable of measuring AC voltage and current to obtain accurate readings.

Test Leads: Connect the multimeter's probes to the appropriate terminals of the transformer for measuring voltage and current.

Procedure:

Safety Precautions: Before beginning the test, ensure all necessary safety precautions are in place, including proper grounding and personal protective equipment.

Connections: Connect the primary winding of the transformer to the AC power source, ensuring proper phase and polarity.

Voltage Measurement: Measure the voltage across the primary winding using the multimeter and record the value as V_p (primary voltage).

Current Measurement: Measure the current flowing through the primary winding using the multimeter and record the value as I_p (primary current).

Secondary Voltage Measurement: Measure the voltage across the secondary winding using the multimeter and record the value as V_s (secondary voltage).

Secondary Current Measurement: Measure the current flowing through the secondary winding using the multimeter and record the value as I_s (secondary current).

Calculate Ratios: Calculate the primary and secondary voltage ratios (V_p/V_s) and the primary and secondary current ratios (I_p/I_s).

Compare Ratios: Compare the measured ratios with the expected values specified by the transformer's design or nameplate data.

Voltage ratio: If the measured voltage ratio deviates significantly from the expected value, it indicates a potential winding or turn ratio problem.

Current ratio: If the measured current ratio deviates significantly from the expected value, it suggests issues with the winding or core losses.

Analysis and Interpretation: Based on the comparison of measured ratios with expected values, draw conclusions regarding the transformer's performance.

Acceptable Ratios: If the measured ratios closely match the expected values, the transformer is functioning properly.

Deviations: Significant deviations in the ratios may indicate faults or issues that require further investigation or repairs.

Safety Considerations:

Work with transformers and electrical equipment only if you are a trained professional with adequate knowledge and experience.

Ensure that the transformer is completely disconnected from any power source during the test setup.

Follow appropriate safety procedures, such as wearing insulated gloves and using proper grounding techniques.

Exercise caution when working with high voltages and currents, and avoid touching exposed conductors.

Conclusion:

The Ratio Test of a transformer is an effective method to evaluate its performance and detect any abnormalities in the winding or core. By comparing the measured voltage and current ratios with the expected values, you can identify potential faults and make informed decisions regarding maintenance or repairs. Remember to prioritize safety at all times when working with electrical equipment.