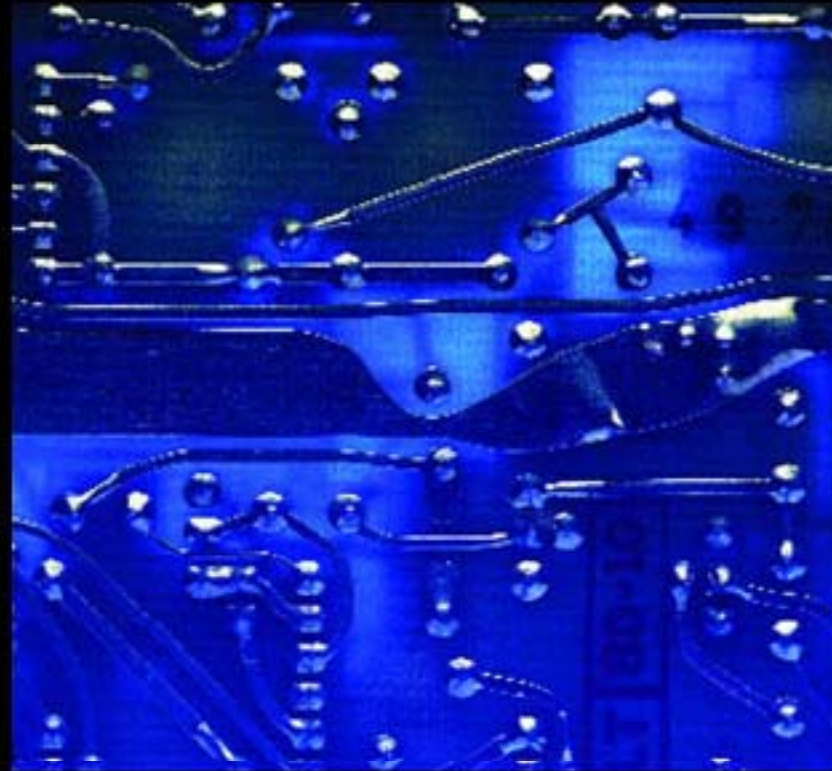


# ELECTRONIC DEVICES AND CIRCUIT THEORY

TENTH EDITION

BOYLESTAD



PEARSON

## Chapter 12 Power Amplifiers

# Definitions

**In small-signal amplifiers the main factors are:**

- **Amplification**
- **Linearity**
- **Gain**

**Since large-signal, or power, amplifiers handle relatively large voltage signals and current levels, the main factors are:**

- **Efficiency**
- **Maximum power capability**
- **Impedance matching to the output device**

# Amplifier Types

## Class A

The amplifier conducts through the full  $360^\circ$  of the input. The Q-point is set near the middle of the load line.

## Class B

The amplifier conducts through  $180^\circ$  of the input. The Q-point is set at the cutoff point.

## Class AB

This is a compromise between the class A and B amplifiers. The amplifier conducts somewhere between  $180^\circ$  and  $360^\circ$ . The Q-point is located between the mid-point and cutoff.

[more...](#)

# Amplifier Types

## Class C

**The amplifier conducts less than 180 of the input. The Q-point is located below the cutoff level.**

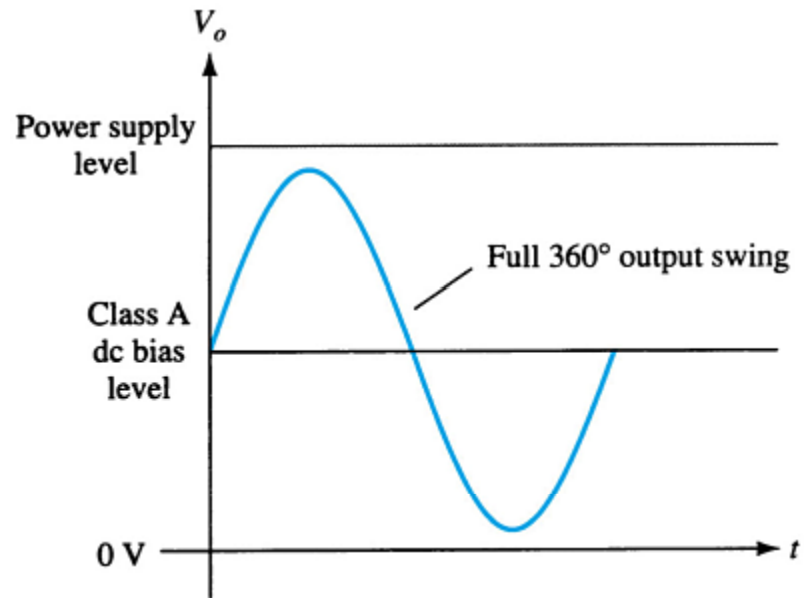
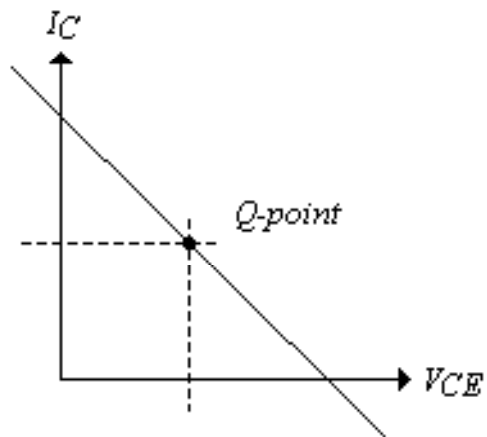
## Class D

**This is an amplifier that is biased especially for digital signals.**

# Class A Amplifier

The output of a class A amplifier conducts for the full  $360^\circ$  of the cycle.

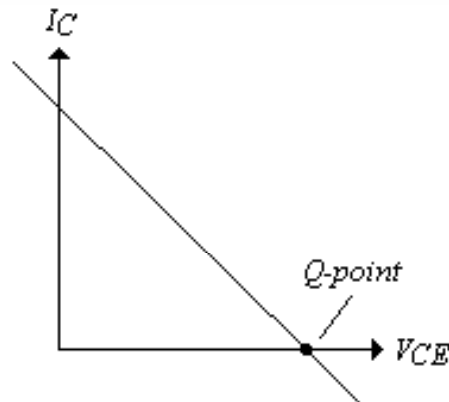
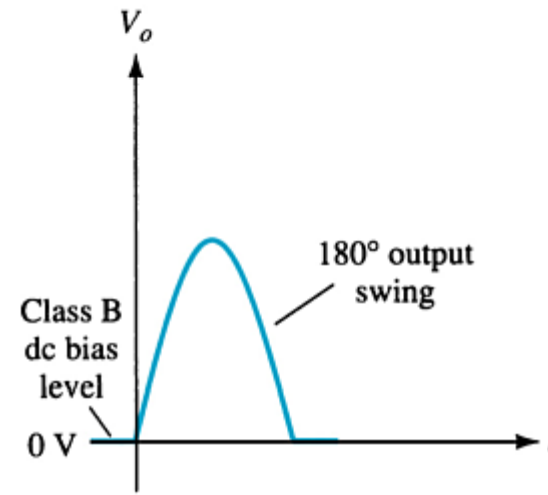
The Q-point is set at the middle of the load line so that the AC signal can swing a full cycle.



Remember that the DC load line indicates the maximum and minimum limits set by the DC power supply.

# Class B Amplifier

A class B amplifier output only conducts for  $180^\circ$  or one-half of the AC input signal.

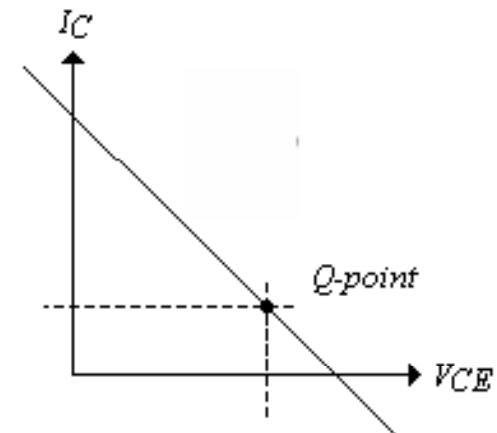


The Q-point is at 0V on the load line, so that the AC signal can only swing for one-half cycle.

# Class AB Amplifier

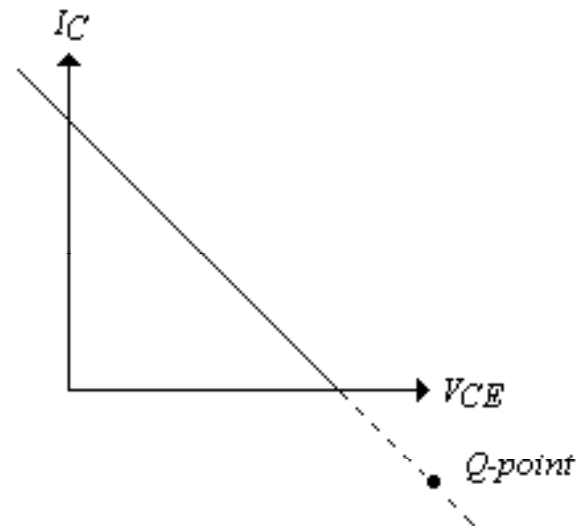
This amplifier is a compromise between the class A and class B amplifier—the Q-point is above that of the Class B but below the class A.

The output conducts between  $180^\circ$  and  $360^\circ$  of the AC input signal.



# Class C

**The output of the class C conducts for less than  $180^\circ$  of the AC cycle. The Q-point is below cutoff.**





# Amplifier Efficiency

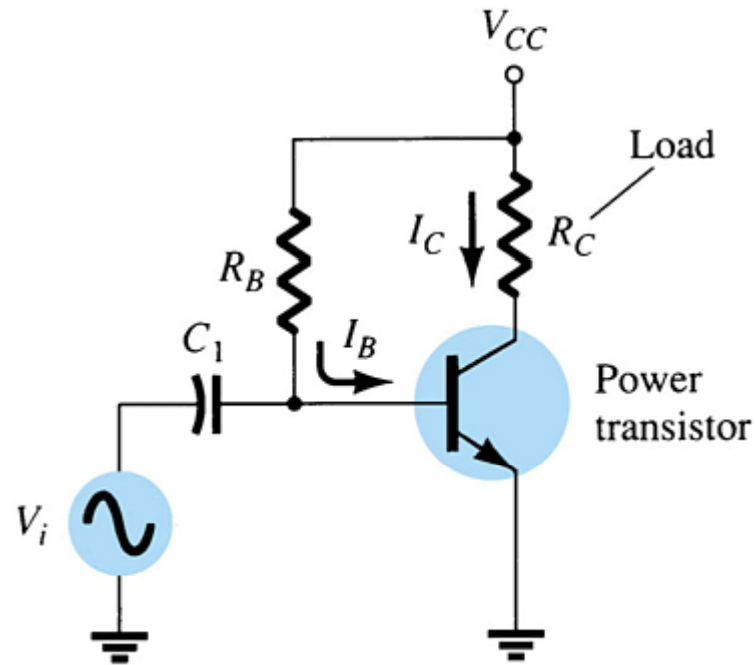
Comparison of Amplifier Classes					
	A	AB	Class B	C*	D
Operating cycle	360°	180° to 360°	180°	Less than 180°	Pulse operation
Power efficiency	25% to 50%	Between 25% (50%) and 78.5%	78.5%		Typically over 90%

\*Class C is usually not used for delivering large amounts of power, thus the efficiency is not given here.

**Efficiency** refers to the ratio of output to input power. The lower the amount of conduction of the amplifier the higher the efficiency.

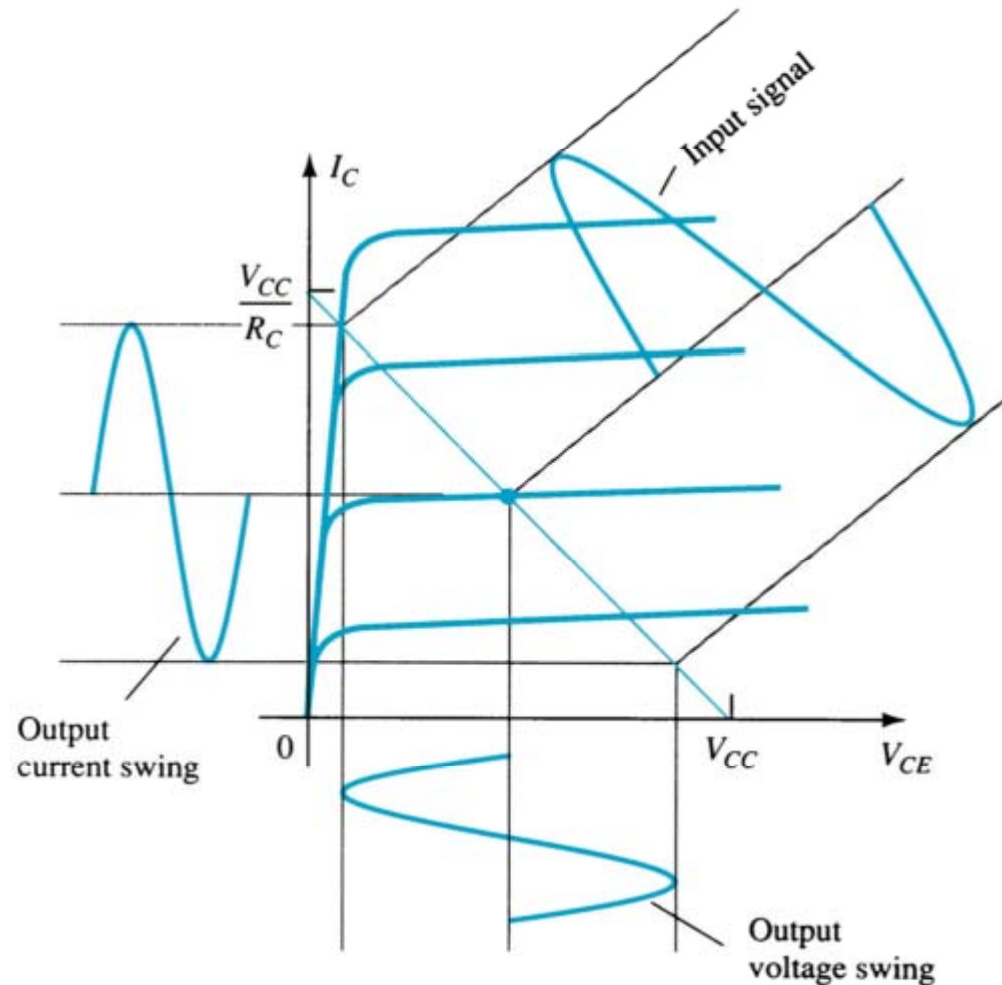
# Series-Fed Class A Amplifier

**This is similar to the small-signal amplifier except that it will handle higher voltages. The transistor used is a high-power transistor.**



# Series-Fed Class A Amplifier

A small input signal causes the output voltage to swing to a maximum of  $V_{CC}$  and a minimum of  $0V$ . The current can also swing from  $0mA$  to  $I_{CSAT}$  ( $V_{CC}/R_C$ )



# Series-Fed Class A Amplifier

## Input Power

The power into the amplifier is from the DC supply. With no input signal, the DC current drawn is the collector bias current,  $I_{CQ}$ .

$$P_{i(dc)} = V_{CC}I_{CQ}$$

## Output Power

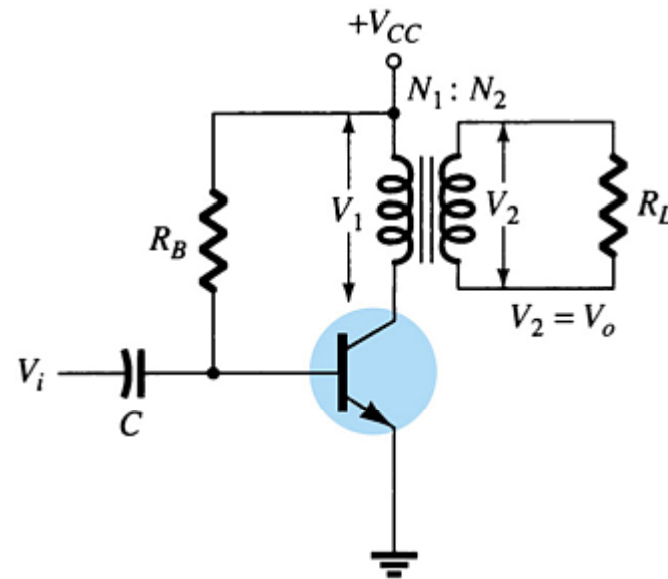
$$P_{o(ac)} = \frac{V_C^2(rms)}{R_C} \quad \text{or} \quad P_{o(ac)} = \frac{V_{CE(p-p)}^2}{8R_C}$$

## Efficiency

$$\% \eta = \frac{P_{o(ac)}}{P_{i(ac)}} \times 100$$

# Transformer-Coupled Class A Amplifier

**This circuit uses a transformer to couple to the load. This improves the efficiency of the Class A to 50%.**



# Transformer Action

A transformer improves the efficiency because it is able to transform the voltage, current, and impedance

## Voltage Ratio

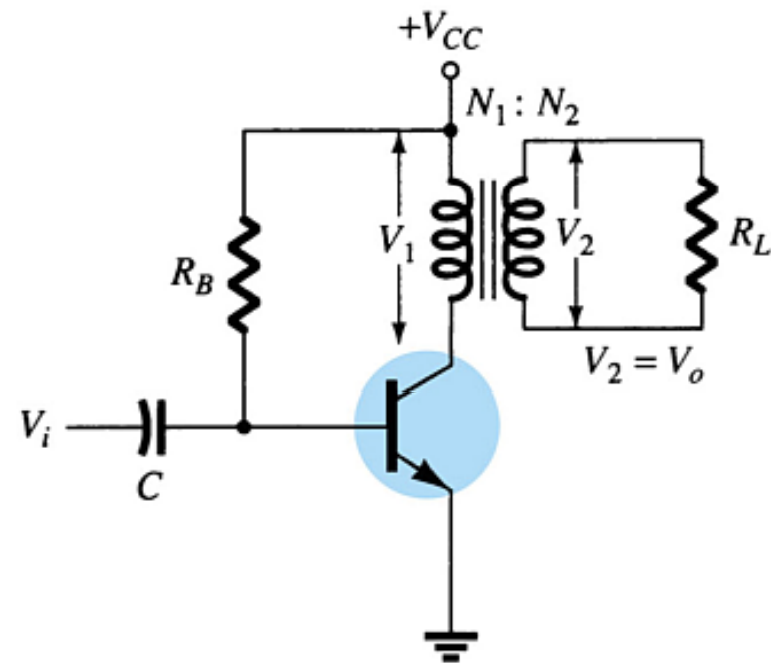
$$\frac{V_2}{V_1} = \frac{N_2}{N_1}$$

## Current Ratio

$$\frac{I_2}{I_1} = \frac{N_1}{N_2}$$

## Impedance Ratio

$$\frac{R'_L}{R_L} = \frac{R_1}{R_2} = \left(\frac{N_1}{N_2}\right)^2 = a^2$$



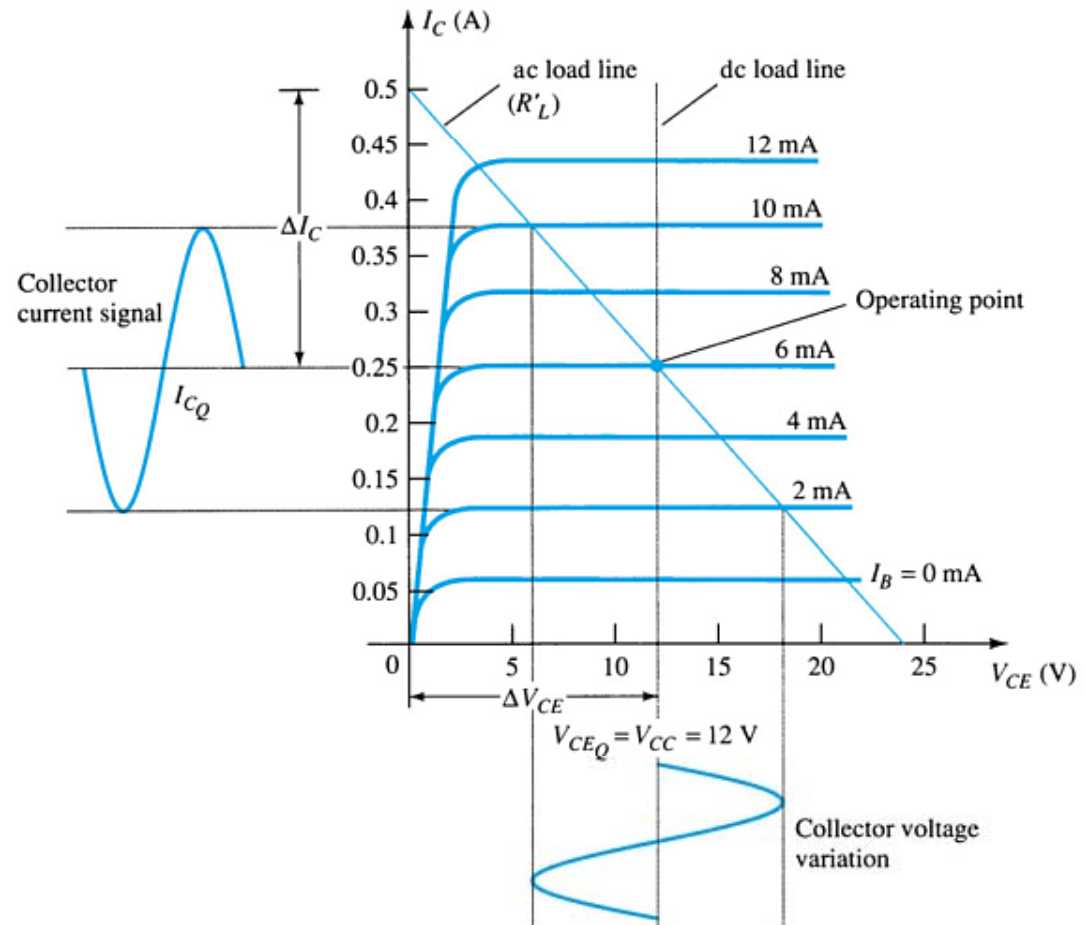
# Transformer-Coupled Class A Amplifier

## DC Load Line

As in all class A amplifiers the Q-point is established close to the midpoint of the DC load line.

## AC Load Line

The saturation point ( $I_{Cmax}$ ) is at  $V_{cc}/R'_L$  and the cutoff point is at  $V_2$  (the secondary voltage of the transformer). This increases the maximum output swing because the minimum and maximum values of  $I_C$  and  $V_{CE}$  are spread further apart.



# Transformer-Coupled Class A Amplifier

## Signal Swing and Output AC Power

**The voltage swing:**

$$V_{CE(p-p)} = V_{CE\max} - V_{CE\min}$$

**The current swing:**

$$I_{C\max} - I_{C\min}$$

**The AC power:**

$$P_{o(ac)} = \frac{(V_{CE\max} - V_{CE\min})(I_{C\max} - I_{C\min})}{8}$$



# Transformer-Coupled Class A Amplifier Efficiency

**Power input from the DC source:**

$$P_{i(dc)} = V_{CC}I_{CQ}$$

**Power dissipated as heat across the transistor:**

$$P_Q = P_{i(dc)} - P_{o(ac)}$$

**Note:** The larger the input and output signal, the lower the heat dissipation.

**Maximum efficiency:**

$$\% \eta = 50 \left( \frac{V_{CEmax} - V_{CEmin}}{V_{CEmax} + V_{CEmin}} \right)^2$$

**Note:** The larger  $V_{CEmax}$  and smaller  $V_{CEmin}$ , the closer the efficiency approaches the theoretical maximum of 50%.

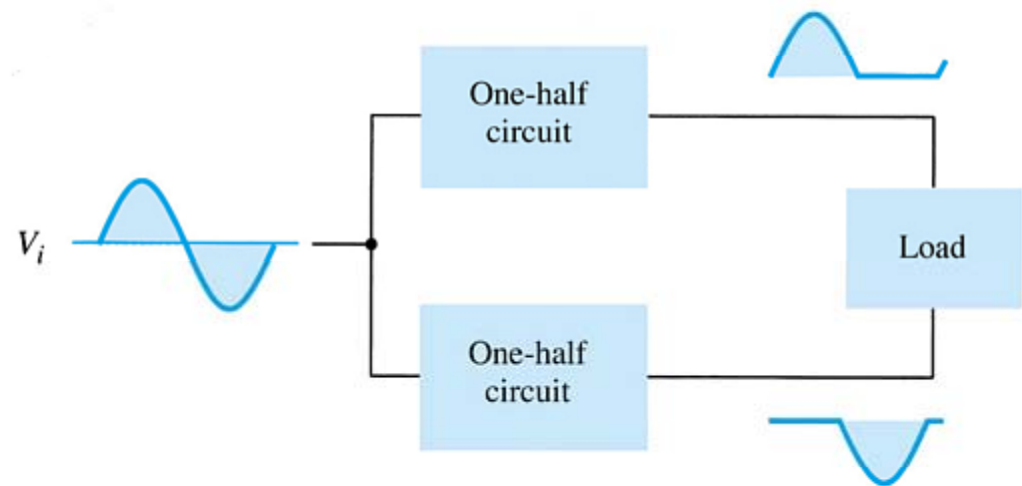
# Class B Amplifier

In class B, the transistor is biased just off. The AC signal turns the transistor on.

The transistor only conducts when it is turned on by one-half of the AC cycle.

In order to get a full AC cycle out of a class B amplifier, you need two transistors:

- An *npn* transistor that provides the negative half of the AC cycle
- A *pnp* transistor that provides the positive half.



# Class B Amplifier: Efficiency

The maximum efficiency of a class B is 78.5%..

$$\% \eta = \frac{P_{o(ac)}}{P_{i(dc)}} \times 100$$

$$\text{maximum } P_{o(dc)} = \frac{V_{CC}^2}{2R_L}$$

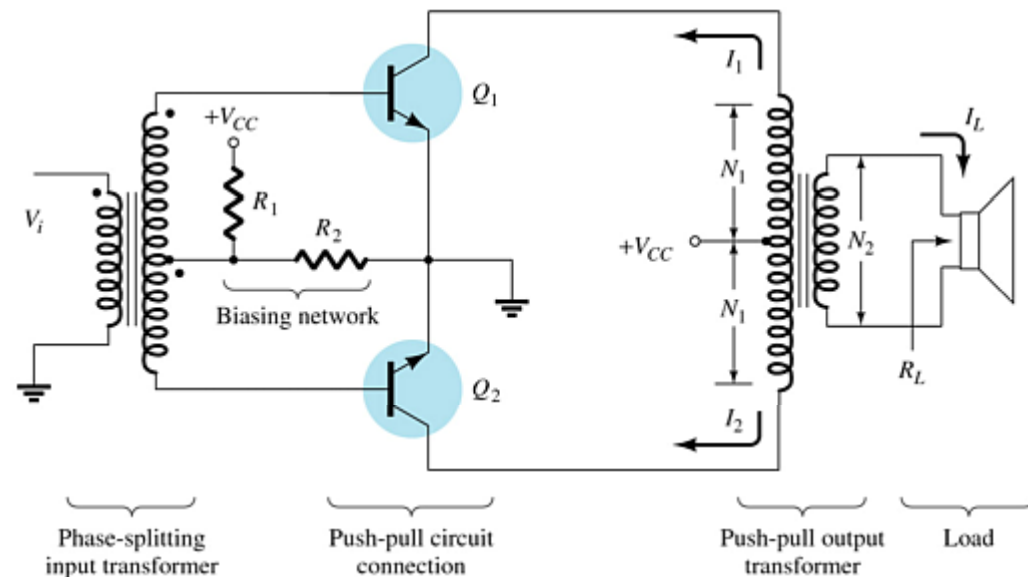
For maximum power,  $V_L = V_{CC}$

$$\text{maximum } P_{i(dc)} = V_{CC}(\text{maximum } I_{dc}) = V_{CC} \left( \frac{2V_{CC}}{\pi R_L} \right) = \frac{2V_{CC}^2}{\pi R_L}$$

# Transformer-Coupled Push-Pull Class B Amplifier

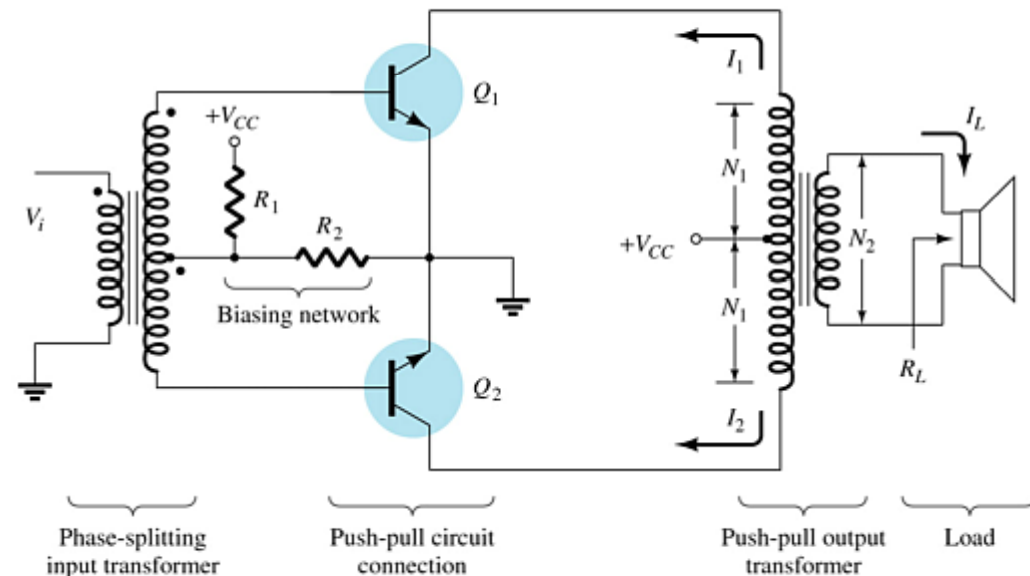
The center-tapped transformer on the input produces opposite polarity signals to the two transistor inputs.

The center-tapped transformer on the output combines the two halves of the AC waveform together.



# Class B Amplifier Push-Pull Operation

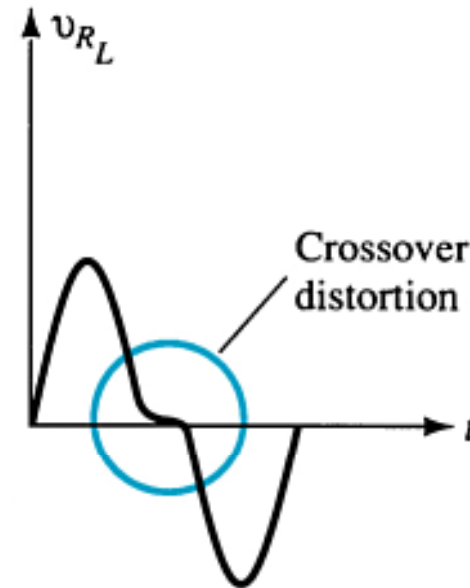
- During the positive half-cycle of the AC input, transistor  $Q_1$  (*npn*) is conducting and  $Q_2$  (*pnp*) is off.
- During the negative half-cycle of the AC input, transistor  $Q_2$  (*pnp*) is conducting and  $Q_1$  (*npn*) is off.



Each transistor produces one-half of an AC cycle. The transformer combines the two outputs to form a full AC cycle.

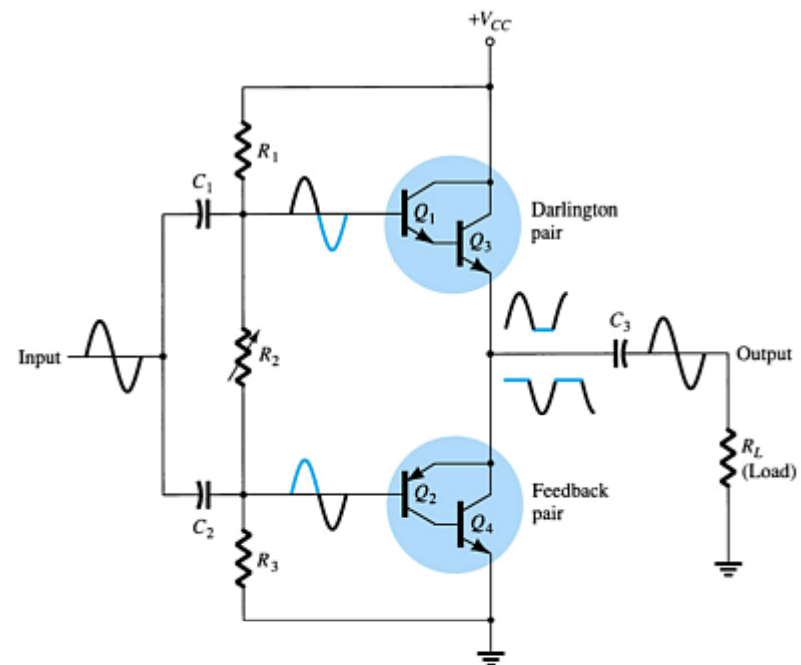
# Crossover Distortion

If the transistors  $Q_1$  and  $Q_2$  do not turn on and off at exactly the same time, then there is a gap in the output voltage.



# Quasi-Complementary Push-Pull Amplifier

A Darlington pair and a feedback pair combination perform the push-pull operation. This increases the output power capability.



# Amplifier Distortion

**If the output of an amplifier is not a complete AC sine wave, then it is distorting the output. The amplifier is non-linear.**

**This distortion can be analyzed using Fourier analysis. In Fourier analysis, any distorted periodic waveform can be broken down into frequency components. These components are harmonics of the fundamental frequency.**



# Harmonics

**Harmonics are integer multiples of a fundamental frequency.**

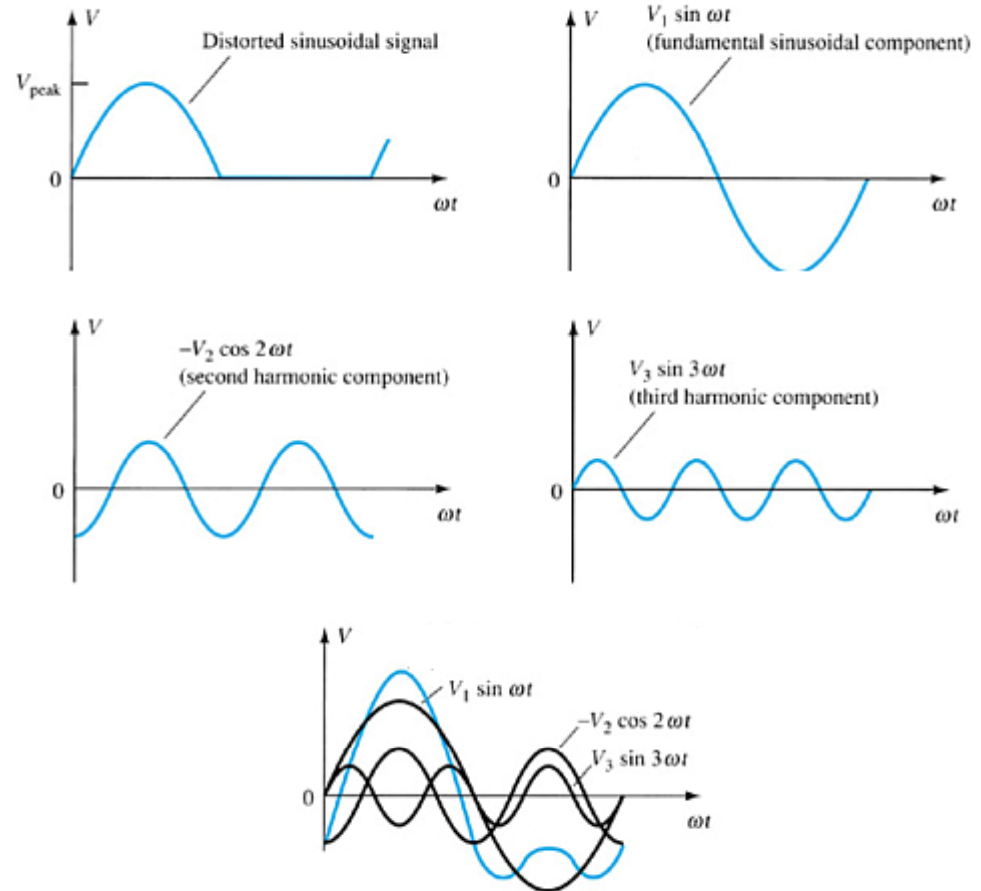
**If the fundamental frequency is 5kHz:**

<b>1<sup>st</sup> harmonic</b>	<b>1 x 5kHz</b>
<b>2<sup>nd</sup> harmonic</b>	<b>2 x 5kHz</b>
<b>3<sup>rd</sup> harmonic</b>	<b>3 x 5kHz</b>
<b>4<sup>th</sup> harmonic</b>	<b>4 x 5kHz</b>
<b>etc.</b>	

**Note that the 1<sup>st</sup> and 3<sup>rd</sup> harmonics are called **odd harmonics** and the 2<sup>nd</sup> and 4<sup>th</sup> are called **even harmonics**.**

# Harmonic Distortion

According to Fourier analysis, if a signal is not purely sinusoidal, then it contains harmonics.



# Harmonic Distortion Calculations

Harmonic distortion (**D**) can be calculated:

$$\% \text{ nth harmonic distortion} = \%D_n = \left| \frac{A_n}{A_1} \right| \times 100$$

where

$A_n$  is the amplitude of the fundamental frequency

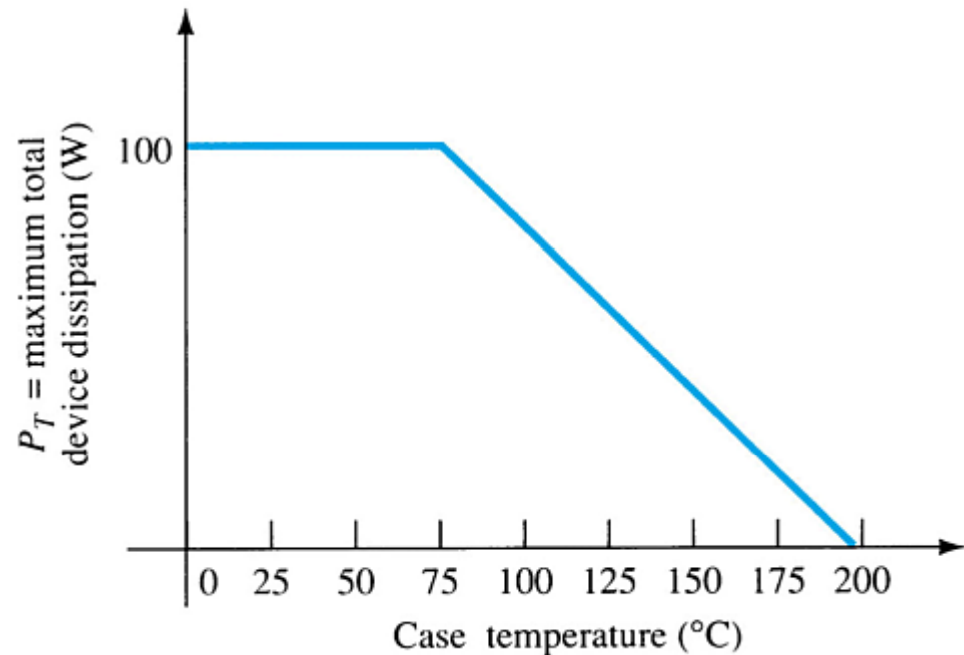
$A_n$  is the amplitude of the highest harmonic

The total harmonic distortion (THD) is determined by:

$$\% \text{ THD} = \sqrt{D_2^2 + D_3^2 + D_3^2 + \dots} \times 100$$

# Power Transistor Derating Curve

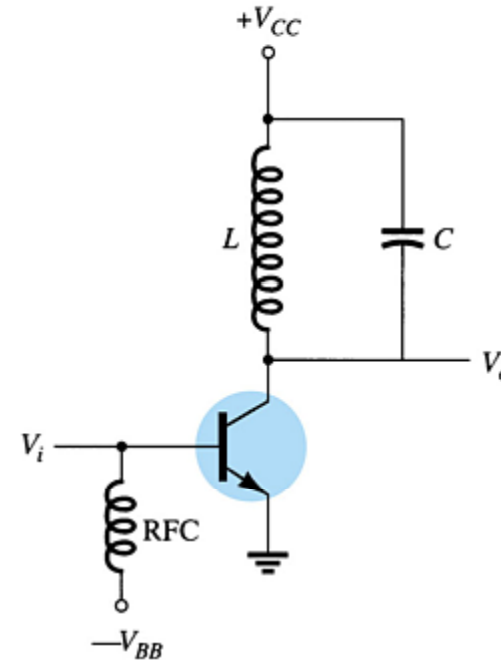
**Power transistors dissipate a lot of power in heat. This can be destructive to the amplifier as well as to surrounding components.**



# Class C Amplifiers

A class C amplifier conducts for less than  $180^\circ$ . In order to produce a full sine wave output, the class C uses a tuned circuit (LC tank) to provide the full AC sine wave.

Class C amplifiers are used extensively in radio communications circuits.



# Class D Amplifier

**A class D amplifier amplifies pulses, and requires a pulsed input.**

**There are many circuits that can convert a sinusoidal waveform to a pulse, as well as circuits that convert a pulse to a sine wave. This circuit has applications in digital circuitry.**

