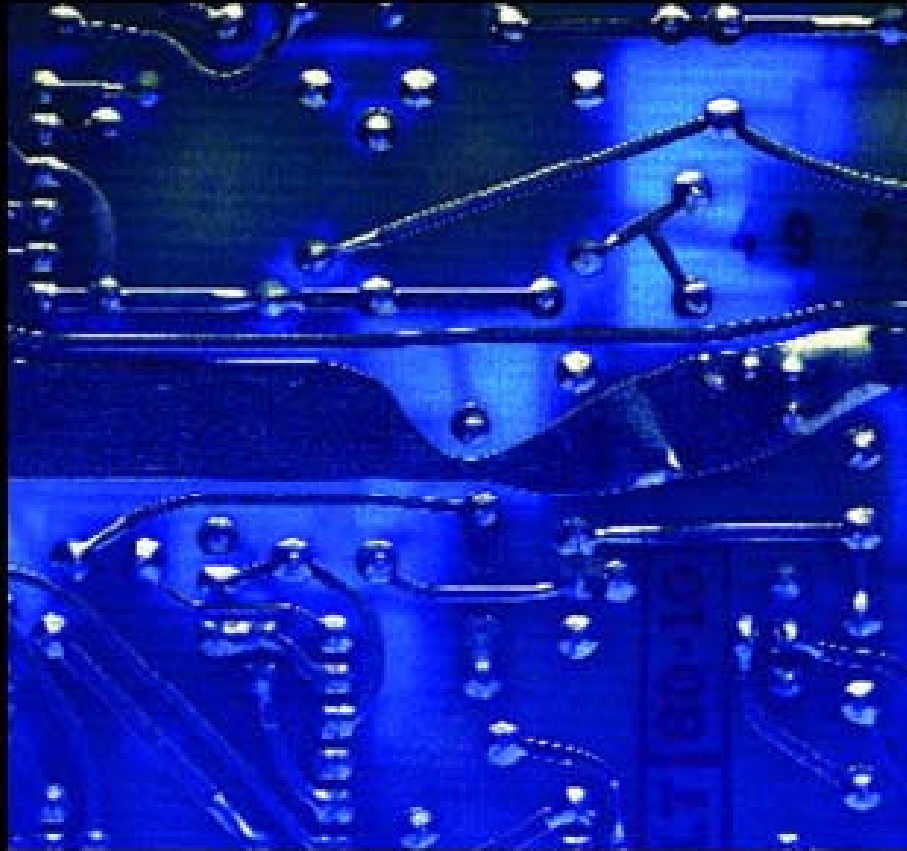


ELECTRONIC DEVICES AND CIRCUIT THEORY

TENTH EDITION



BOYLESTAD

PEARSON

Chapter 8: FET Amplifiers

Introduction

FETs provide:

- **Excellent voltage gain**
- **High input impedance**
- **Low-power consumption**
- **Good frequency range**

FET Small-Signal Model

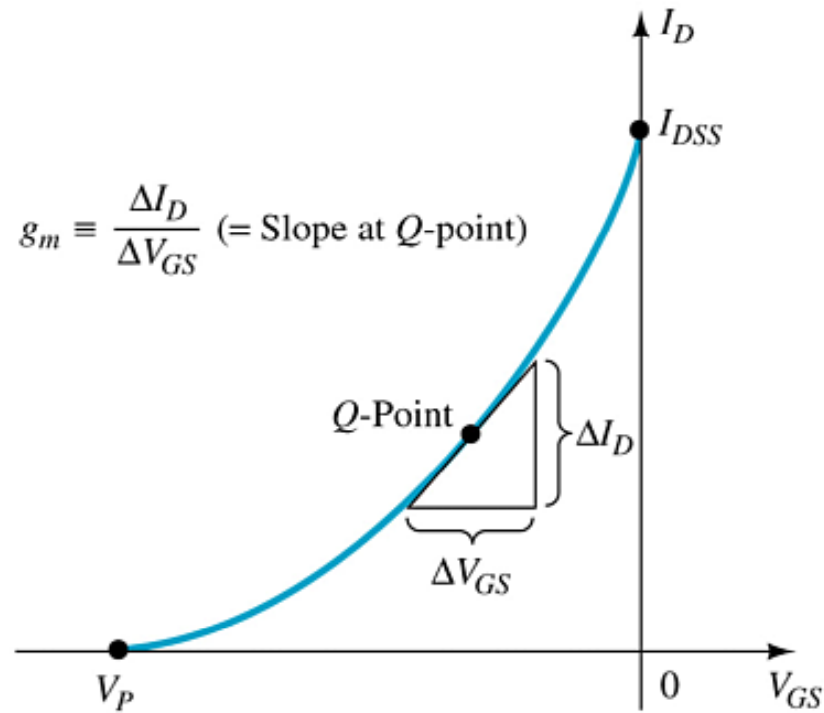
Transconductance

The relationship of a change in I_D to the corresponding change in V_{GS} is called **transconductance**

Transconductance is denoted g_m and given by:

$$g_m = \frac{\Delta I_D}{\Delta V_{GS}}$$

Graphical Determination of g_m



Mathematical Definitions of g_m

$$g_m = \frac{\Delta I_D}{\Delta V_{GS}}$$

$$g_m = \frac{2I_{DSS}}{|V_P|} \left[1 - \frac{V_{GS}}{V_P} \right]$$

Where $V_{GS} = 0V$ $g_{m0} = \frac{2I_{DSS}}{|V_P|}$

$$g_m = g_{m0} \left[1 - \frac{V_{GS}}{V_P} \right]$$

Where $1 - \frac{V_{GS}}{V_P} = \sqrt{\frac{I_D}{I_{DSS}}}$

$$g_m = g_{m0} \left(1 - \frac{V_{GS}}{V_P} \right) = g_{m0} \sqrt{\frac{I_D}{I_{DSS}}}$$

FET Impedance

Input impedance:

$$Z_i = \infty \Omega$$

Output Impedance:

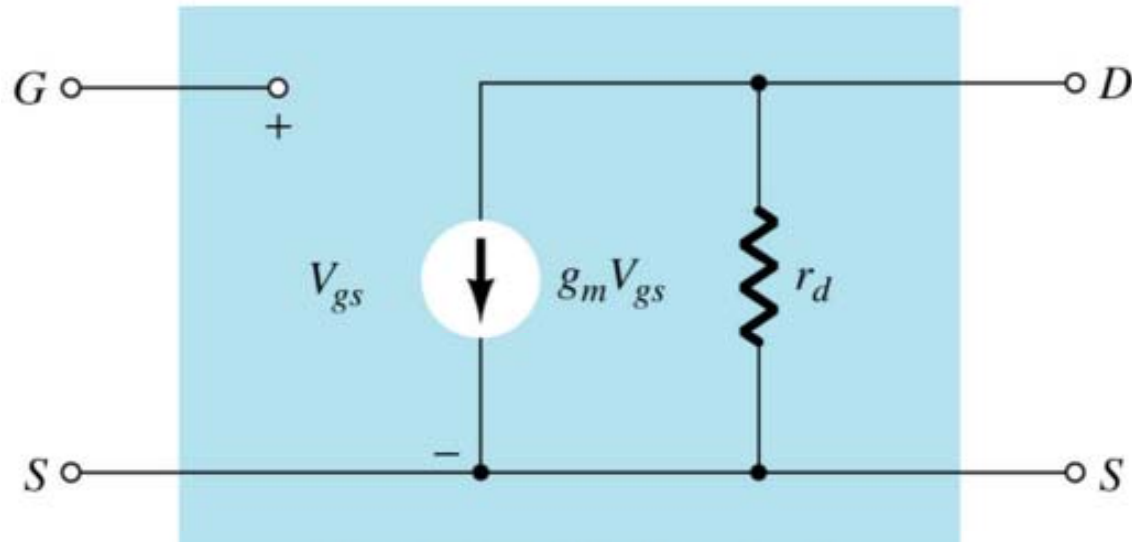
$$Z_o = r_d = \frac{1}{y_{os}}$$

where:

$$r_d = \left. \frac{\Delta V_{DS}}{\Delta I_D} \right|_{V_{GS} = \text{constant}}$$

y_{os} = admittance parameter listed on FET specification sheets.

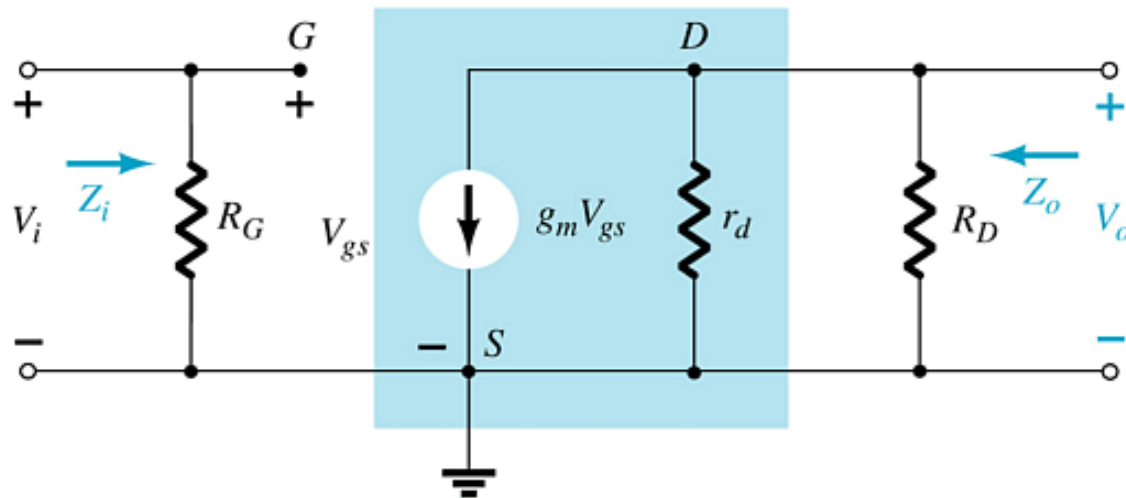
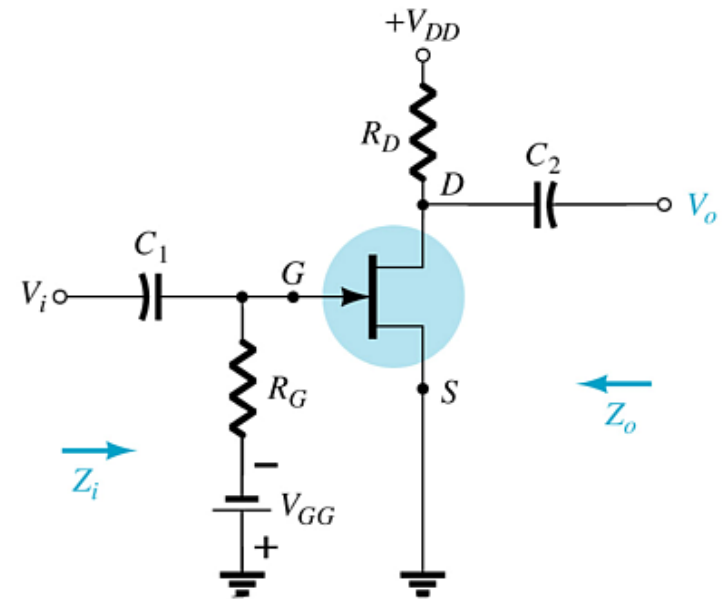
FET AC Equivalent Circuit



Common-Source (CS) Fixed-Bias Circuit

The input is on the gate and the output is on the drain

There is a 180° phase shift between input and output



Calculations

Input impedance:

$$Z_i = R_G$$

Output impedance:

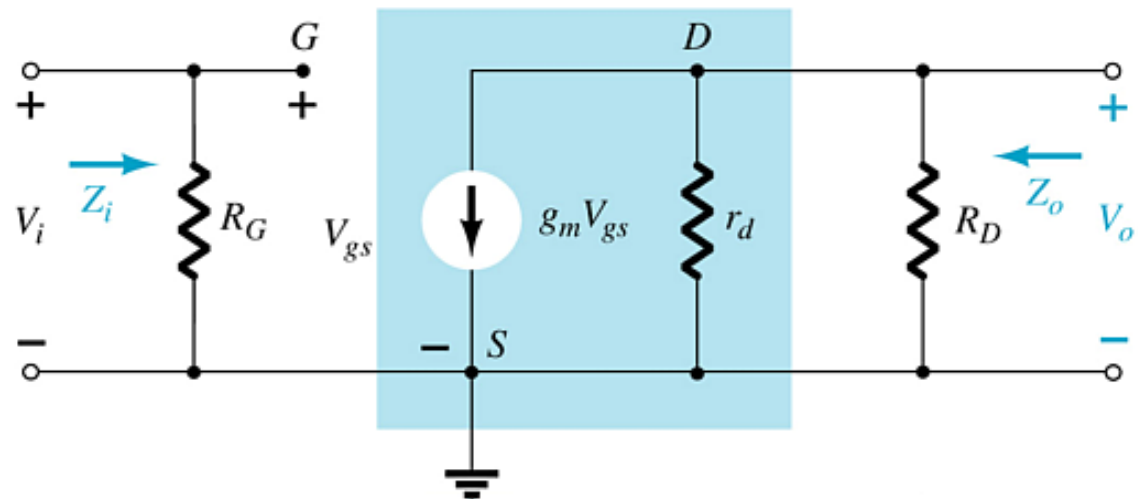
$$Z_o = R_D \parallel r_d$$

$$Z_o \cong R_D \Big|_{r_d \geq 10R_D}$$

Voltage gain:

$$A_v = \frac{V_o}{V_i} = -g_m (r_d \parallel R_D)$$

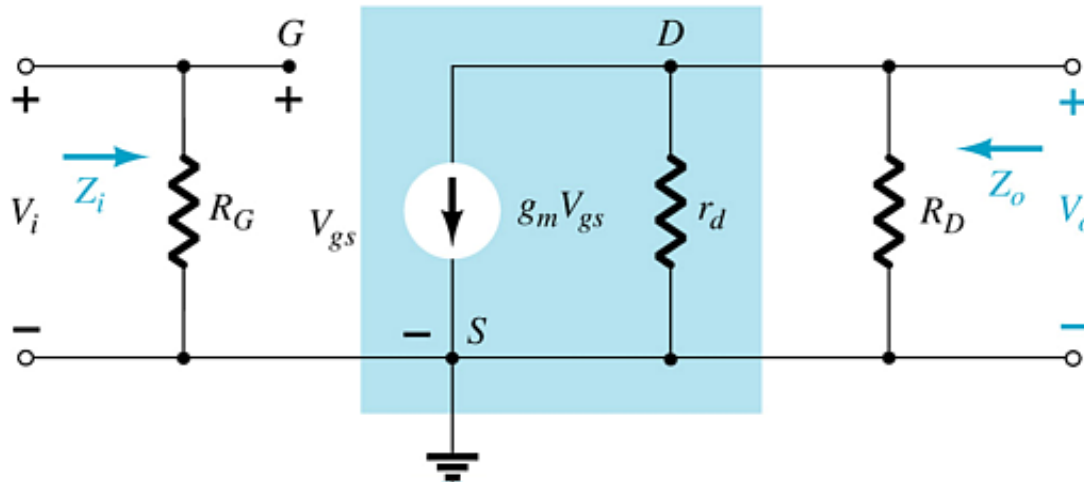
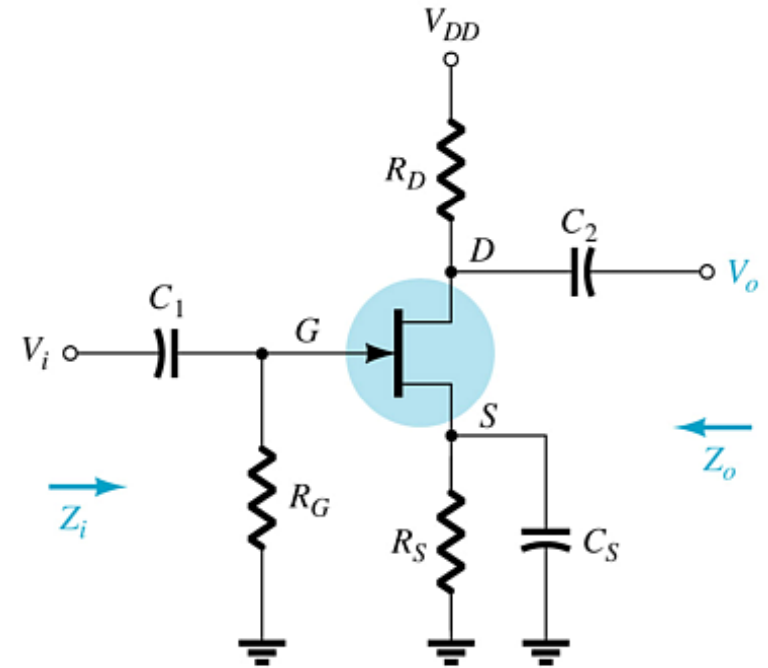
$$A_v = \frac{V_o}{V_i} = -g_m R_D \Big|_{r_d \geq 10R_D}$$



Common-Source (CS) Self-Bias Circuit

This is a common-source amplifier configuration, so the input is on the gate and the output is on the drain

There is a 180° phase shift between input and output



Calculations

Input impedance:

$$Z_i = R_G$$

Output impedance:

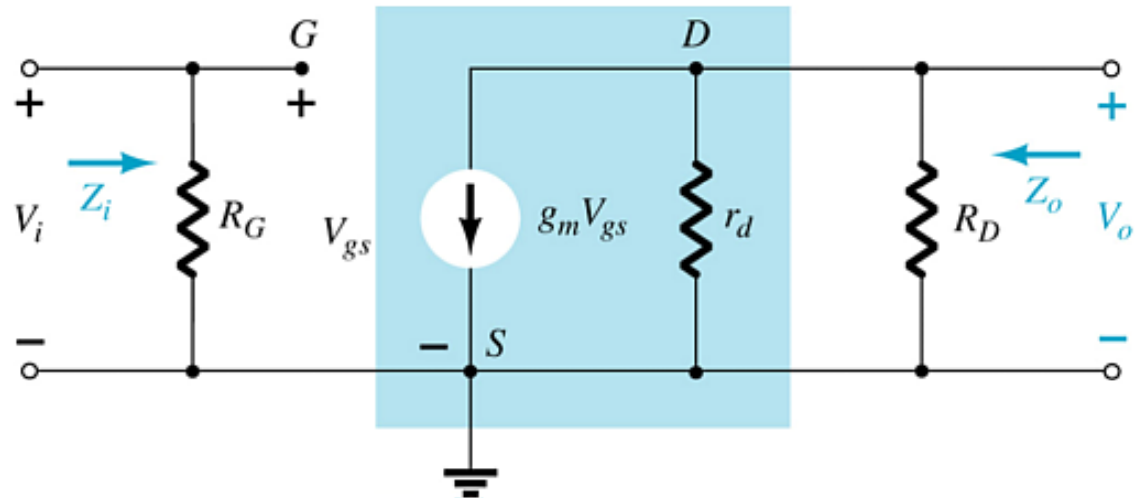
$$Z_o = r_d \parallel R_D$$

$$Z_o \cong R_D \Big|_{r_d \geq 10R_D}$$

Voltage gain:

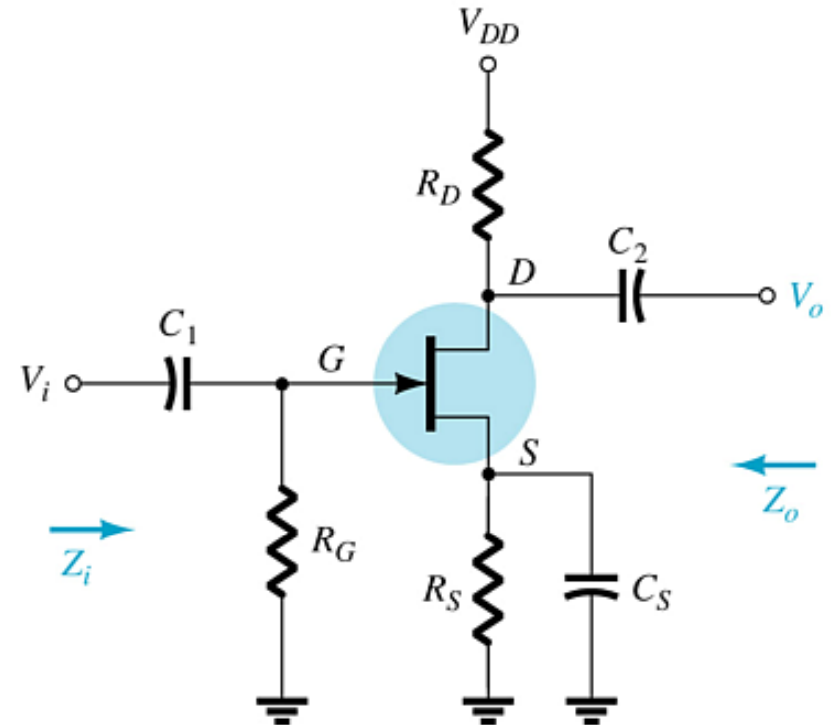
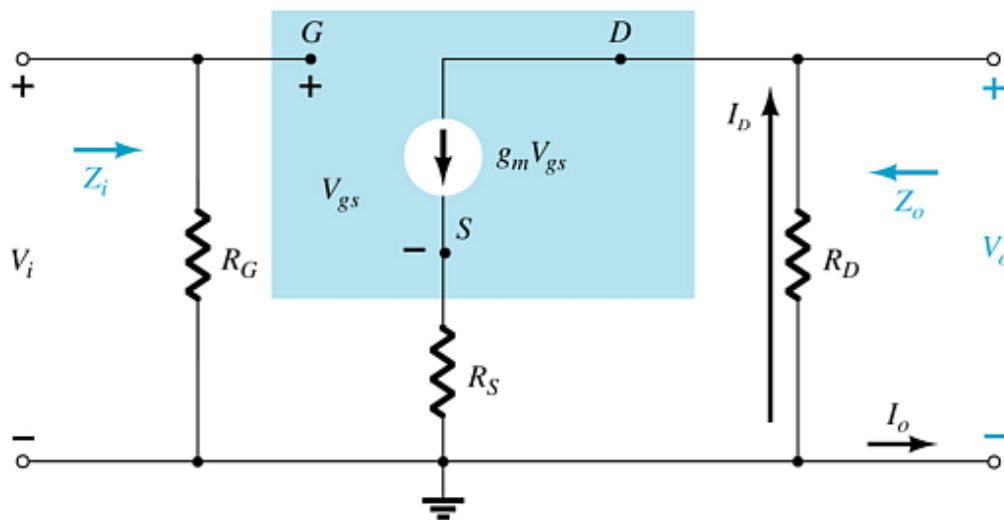
$$A_v = -g_m (r_d \parallel R_D)$$

$$A_v = -g_m R_D \Big|_{r_d \geq 10R_D}$$



Common-Source (CS) Self-Bias Circuit

Removing C_s affects the gain of the circuit.



Calculations

Input impedance:

$$Z_i = R_G$$

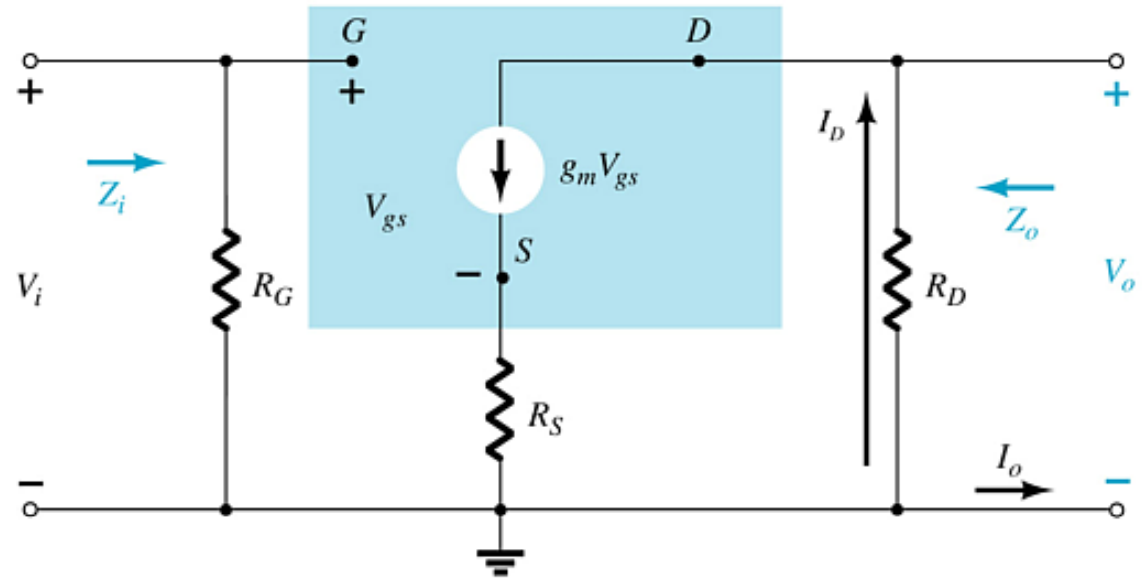
Output impedance:

$$Z_o \cong R_D \quad \left| \quad r_d \geq 10R_D \right.$$

Voltage gain:

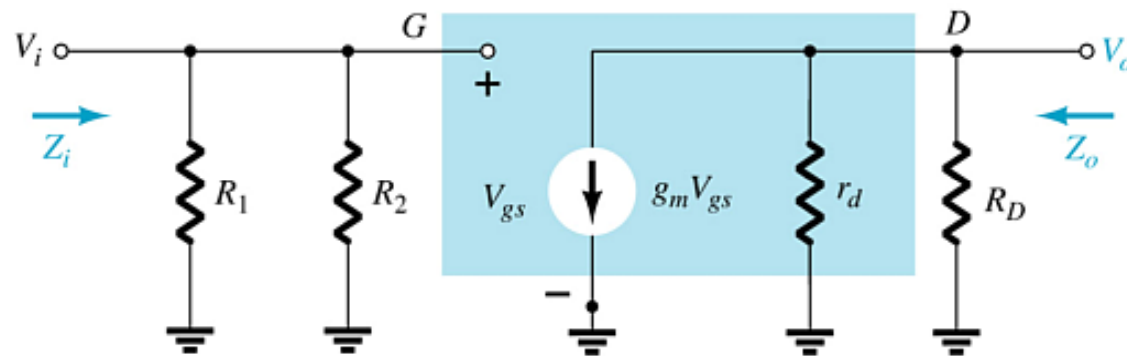
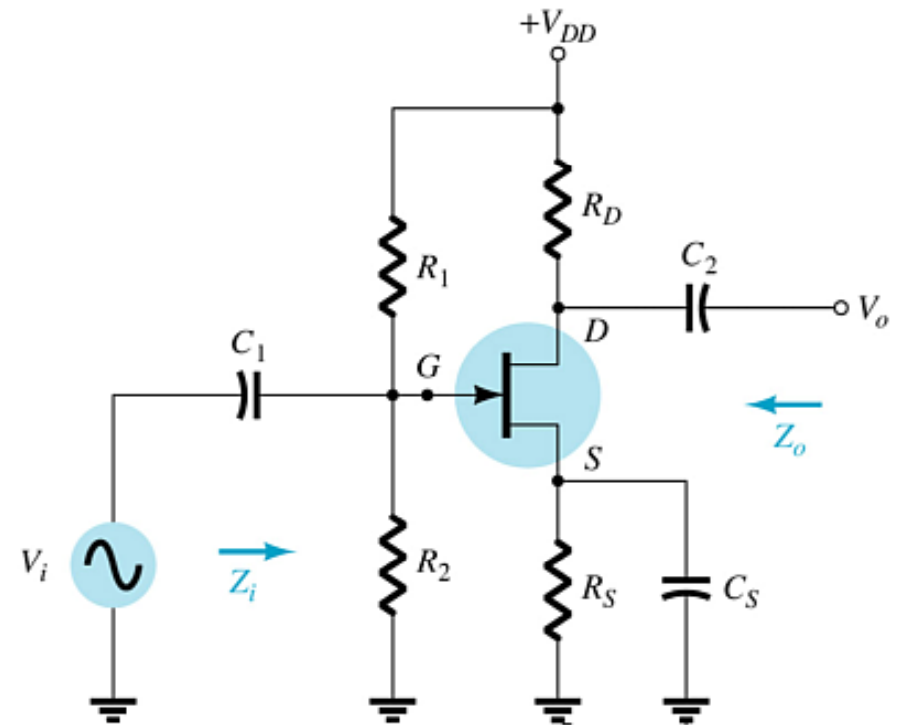
$$A_v = \frac{V_o}{V_i} = - \frac{g_m R_D}{1 + g_m R_S + \frac{R_D + R_S}{r_d}}$$

$$A_v = \frac{V_o}{V_i} = - \frac{g_m R_D}{1 + g_m R_S} \quad \left| \quad r_d \geq 10(R_D + R_S) \right.$$



Common-Source (CS) Voltage-Divider Bias

This is a common-source amplifier configuration, so the input is on the gate and the output is on the drain.



Impedances

Input impedance:

$$Z_i = R_1 \parallel R_2$$

Output impedance:

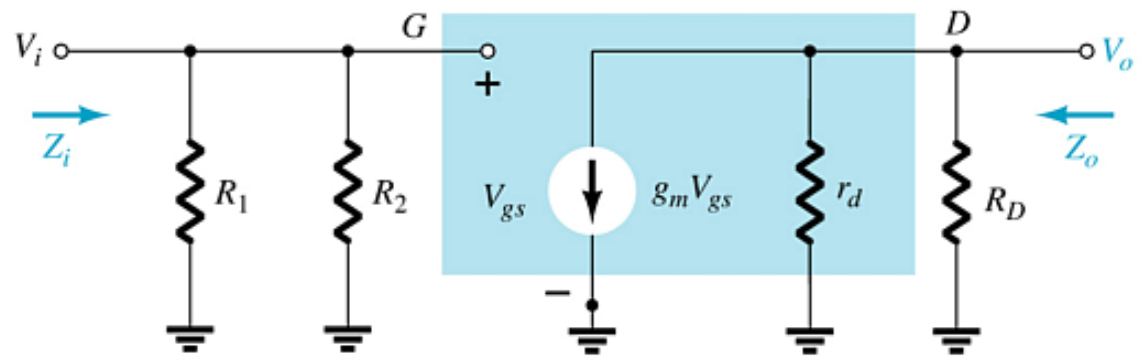
$$Z_o = r_d \parallel R_D$$

$$Z_o \cong R_D \Big|_{r_d \geq 10R_D}$$

Voltage gain:

$$A_v = -g_m (r_d \parallel R_D)$$

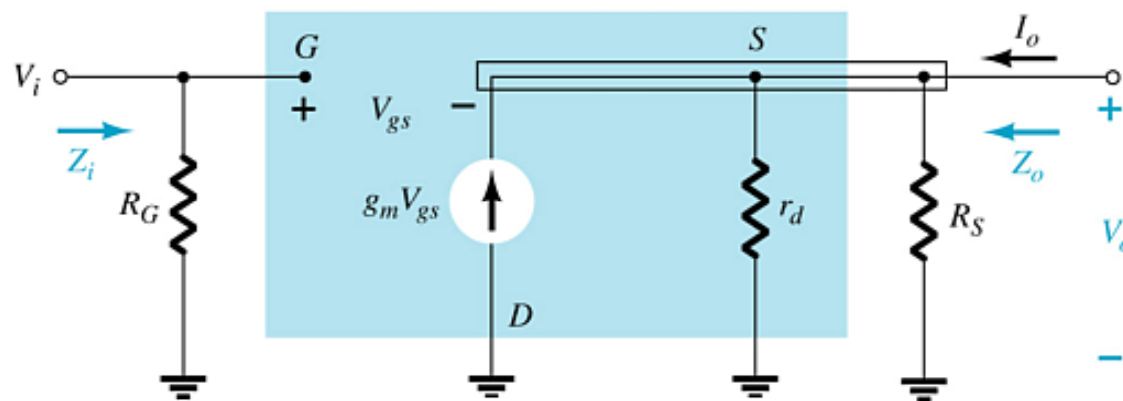
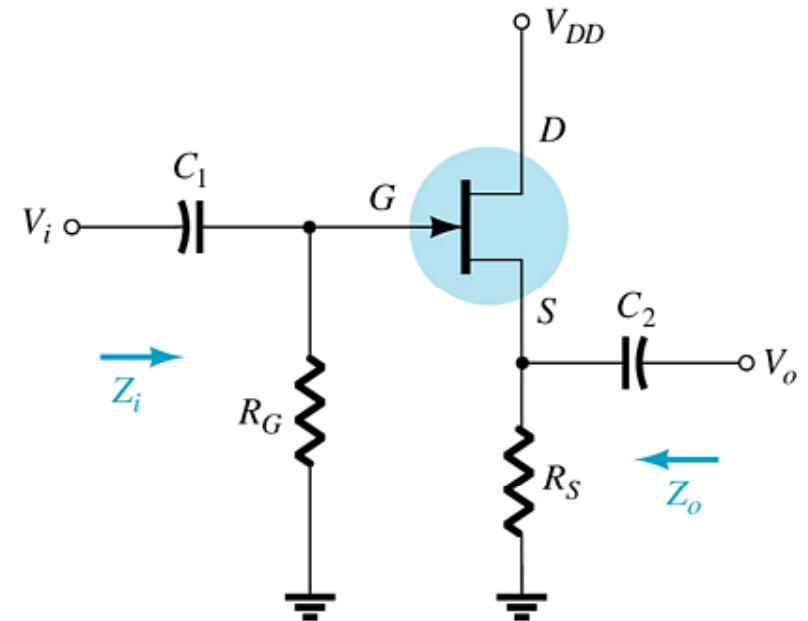
$$A_v = -g_m R_D \Big|_{r_d \geq 10R_D}$$



Source Follower (Common-Drain) Circuit

In a common-drain amplifier configuration, the input is on the gate, but the output is from the source.

There is no phase shift between input and output.



Impedances

Input impedance:

$$Z_i = R_G$$

Output impedance:

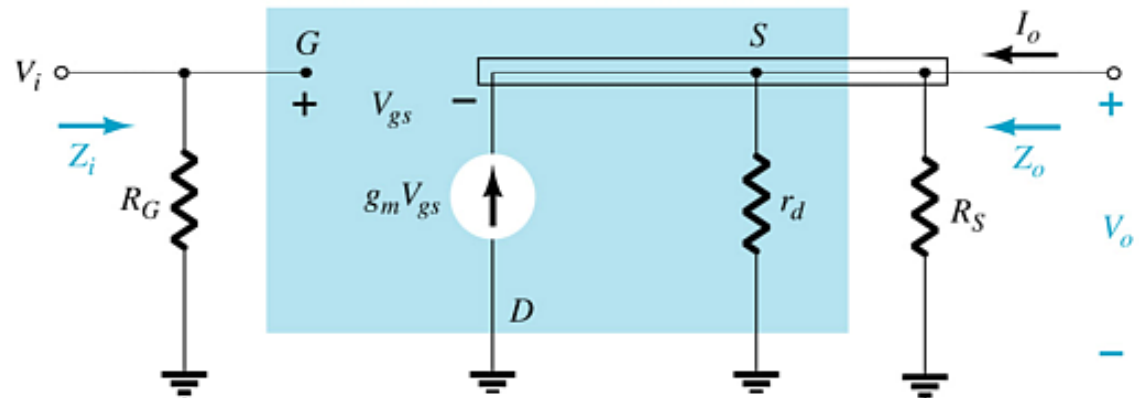
$$Z_o = r_d \parallel R_S \parallel \frac{1}{g_m}$$

$$Z_o \cong R_S \parallel \frac{1}{g_m} \Big|_{r_d \geq 10R_S}$$

Voltage gain:

$$A_v = \frac{V_o}{V_i} = \frac{g_m (r_d \parallel R_S)}{1 + g_m (r_d \parallel R_S)}$$

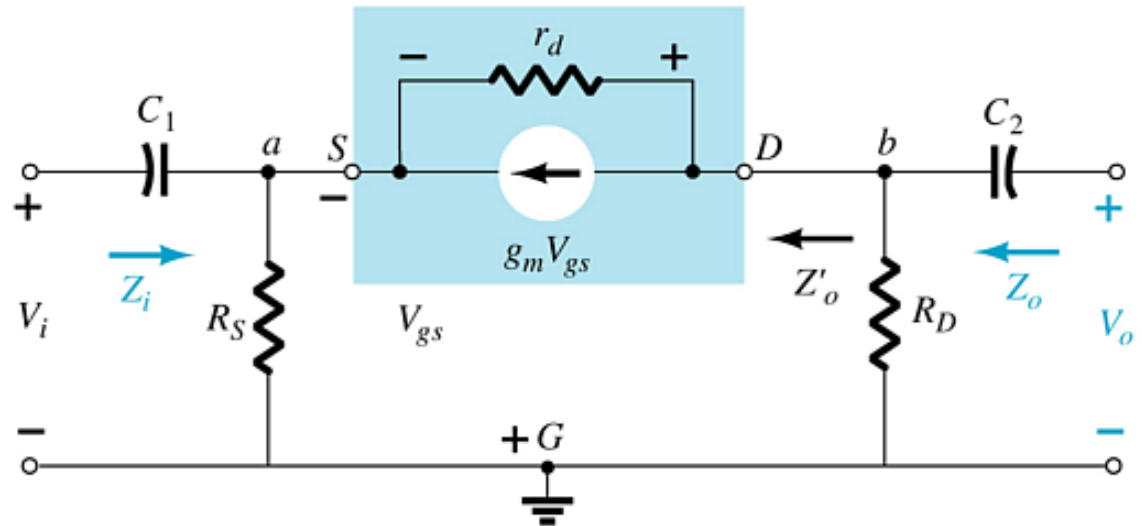
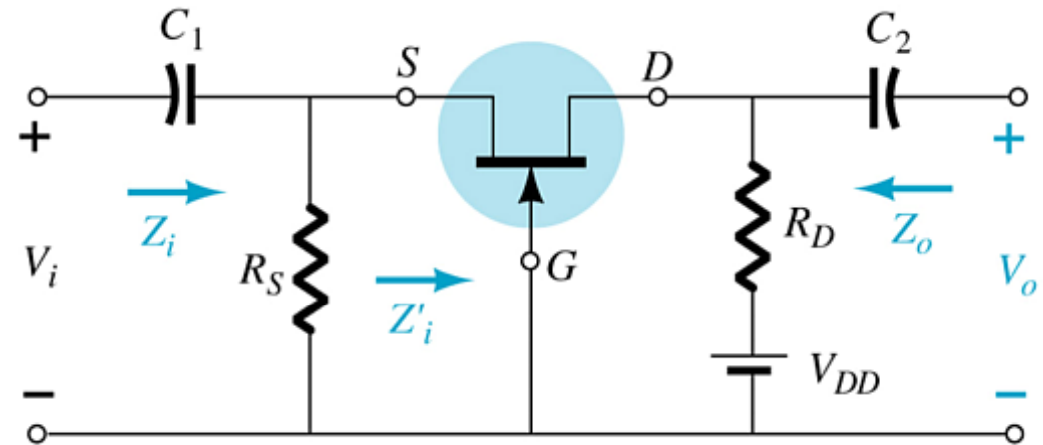
$$A_v = \frac{V_o}{V_i} = \frac{g_m R_S}{1 + g_m R_S} \Big|_{r_d \geq 10}$$



Common-Gate (CG) Circuit

The input is on the source and the output is on the drain.

There is no phase shift between input and output.



Calculations

Input impedance:

$$Z_i = R_S \parallel \left[\frac{r_d + R_D}{1 + g_m r_d} \right]$$

$$Z_i \cong R_S \parallel \frac{1}{g_m} \Big|_{r_d \geq 10R_D}$$

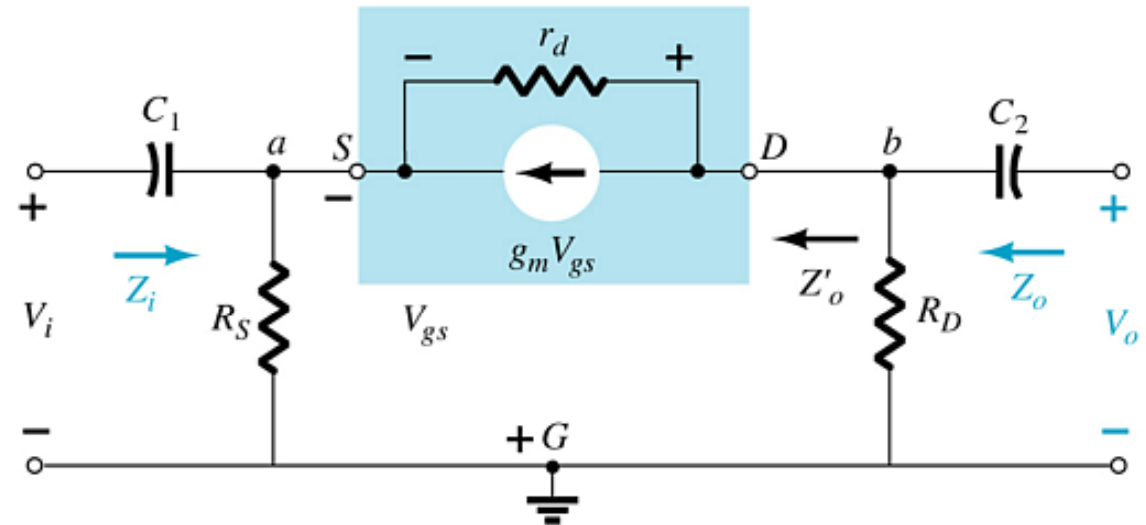
Output impedance:

$$Z_o = R_D \parallel r_d$$

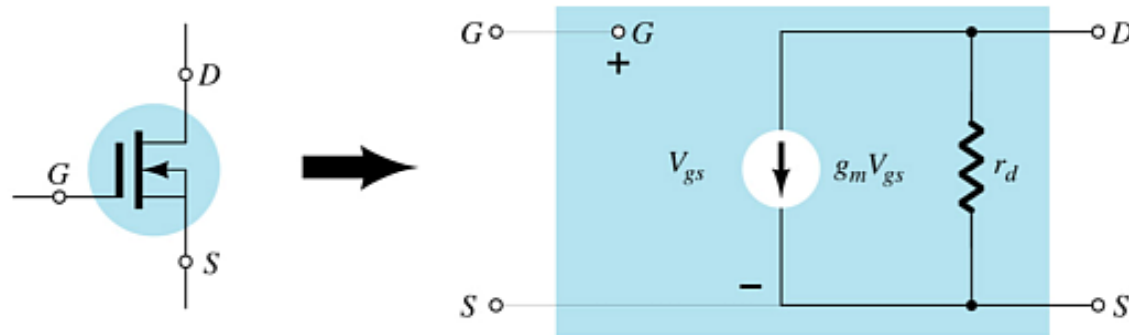
$$Z_o \cong R_D \Big|_{r_d \geq 10R_D}$$

Voltage gain:

$$A_v = \frac{V_o}{V_i} = \frac{\left[g_m R_D + \frac{R_D}{r_d} \right]}{\left[1 + \frac{R_D}{r_d} \right]} \quad A_v = g_m R_D \Big|_{r_d \geq 10R_D}$$

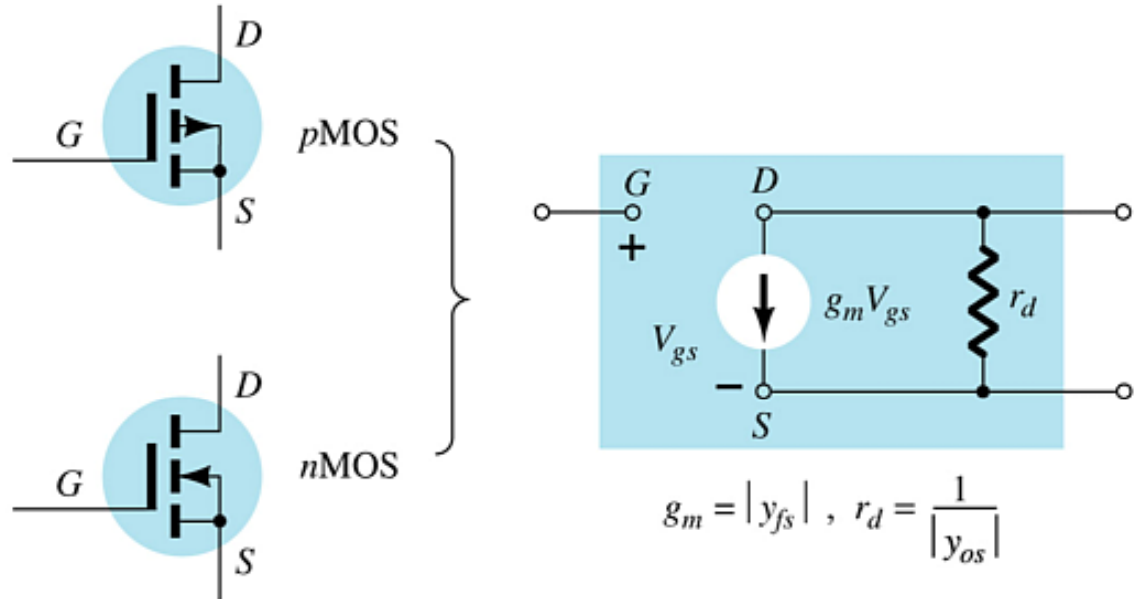


D-Type MOSFET AC Equivalent



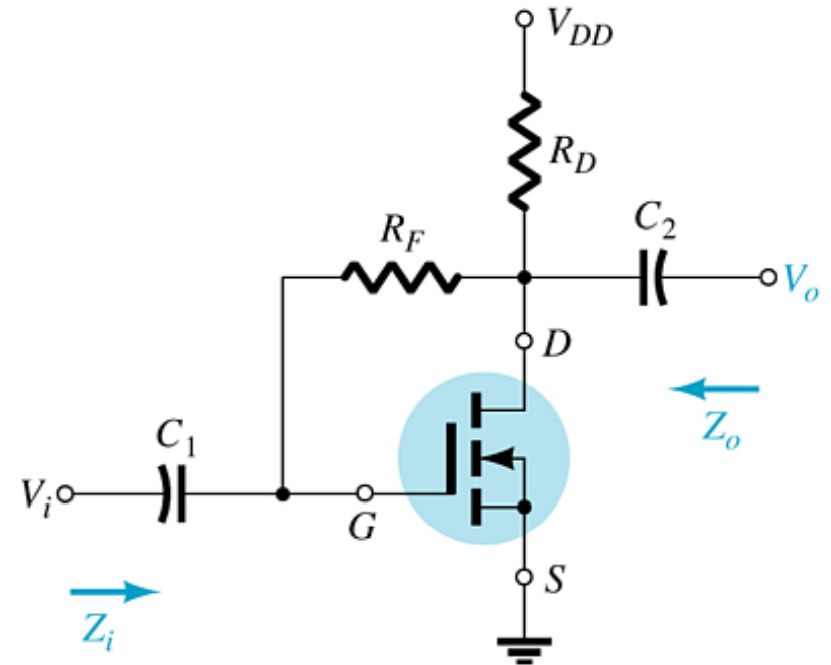
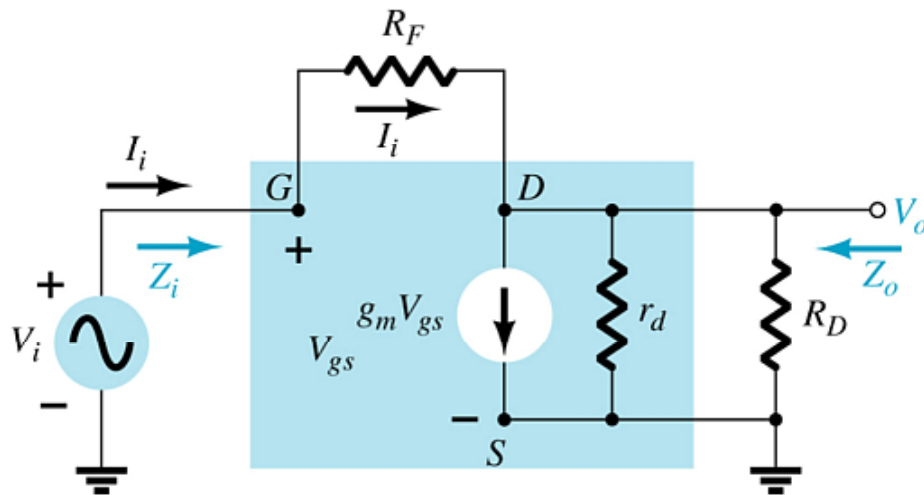
E-Type MOSFET AC Equivalent

g_m and r_d can be found in the specification sheet for the FET.



Common-Source Drain-Feedback

There is a 180° phase shift between input and output.



Calculations

Input impedance:

$$Z_i = \frac{R_F + r_d \parallel R_D}{1 + g_m (r_d \parallel R_D)}$$

$$Z_i \cong \frac{R_F}{1 + g_m R_D} \Big|_{R_F \gg r_d \parallel R_D, r_d \geq 10R_D}$$

Output impedance:

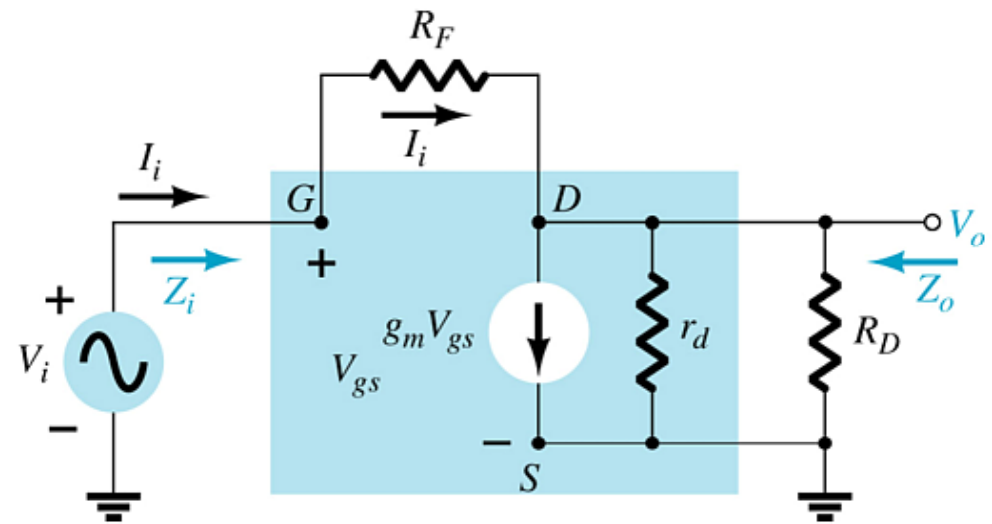
$$Z_o = R_F \parallel r_d \parallel R_D$$

$$Z_o \cong R_D \Big|_{R_F \gg r_d \parallel R_D, r_d \geq 10R_D}$$

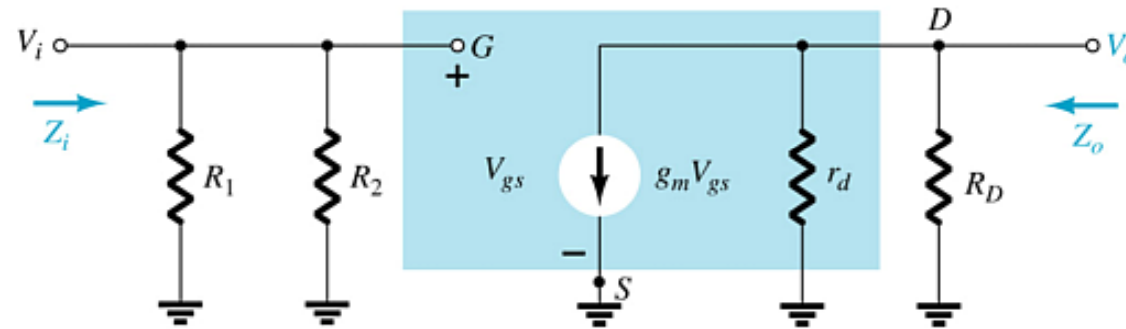
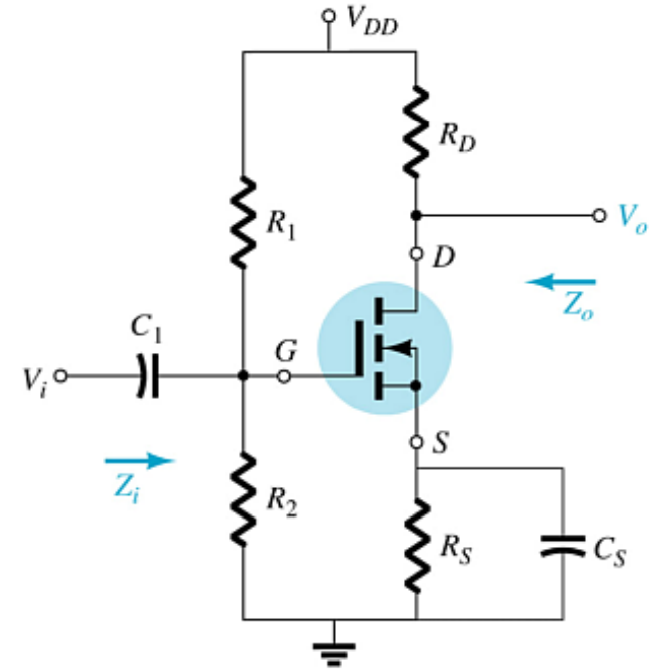
Voltage gain:

$$A_v = -g_m (R_F \parallel r_d \parallel R_D)$$

$$A_v \cong -g_m R_D \Big|_{R_F \gg r_d \parallel R_D, r_d \geq 10R_D}$$



Common-Source Voltage-Divider Bias



Calculations

Input impedance:

$$Z_i = R_1 \parallel R_2$$

Output impedance:

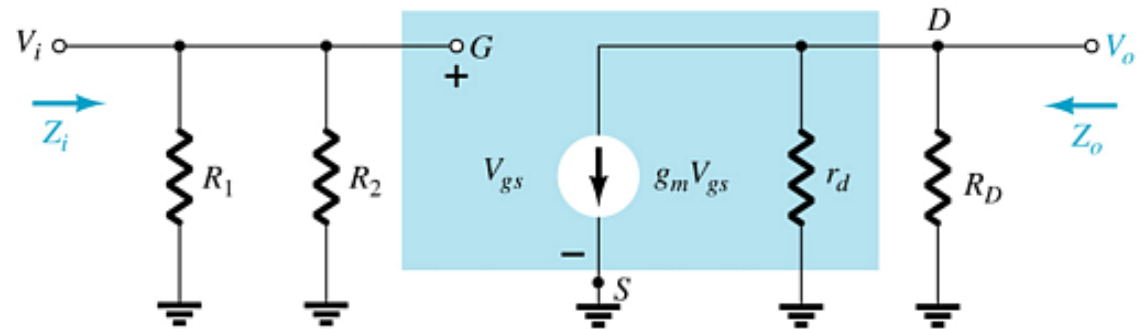
$$Z_o = r_d \parallel R_D$$

$$Z_o \cong R_D \mid r_d \geq 10R_D$$

Voltage gain:

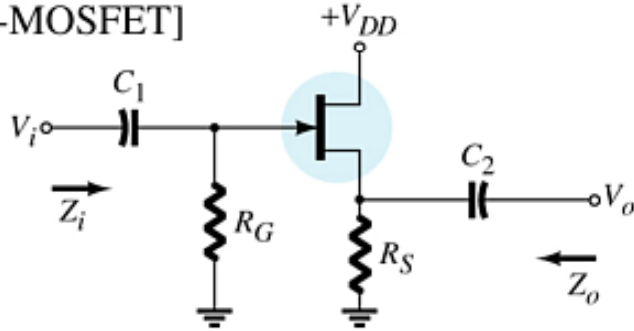
$$A_v = -g_m (r_d \parallel R_D)$$

$$A_v \cong -g_m R_D \mid r_d \geq 10R_D$$

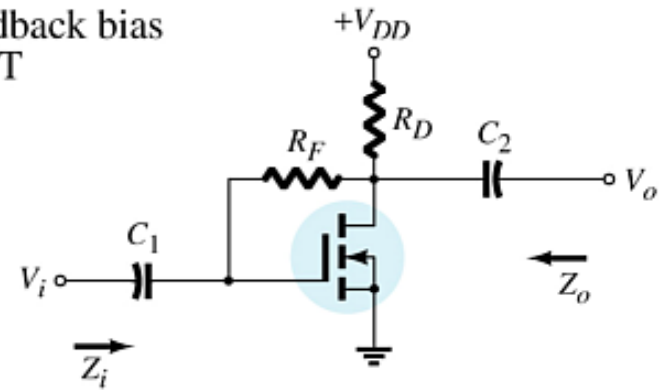


Summary Table

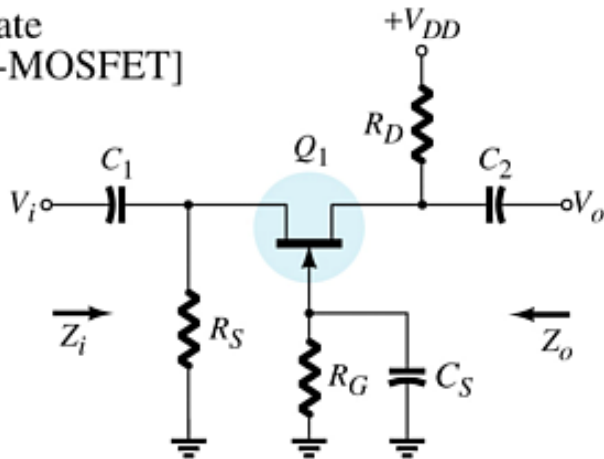
Source-follower
[JFET or D-MOSFET]



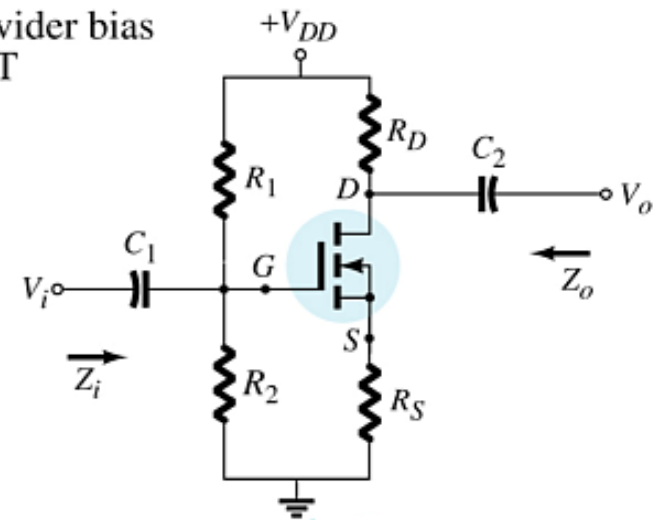
Drain-Feedback bias
E-MOSFET



Common-gate
[JFET or D-MOSFET]



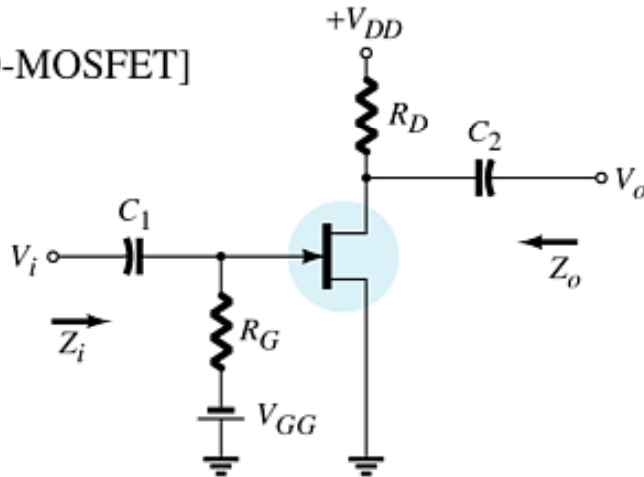
Voltage-divider bias
E-MOSFET



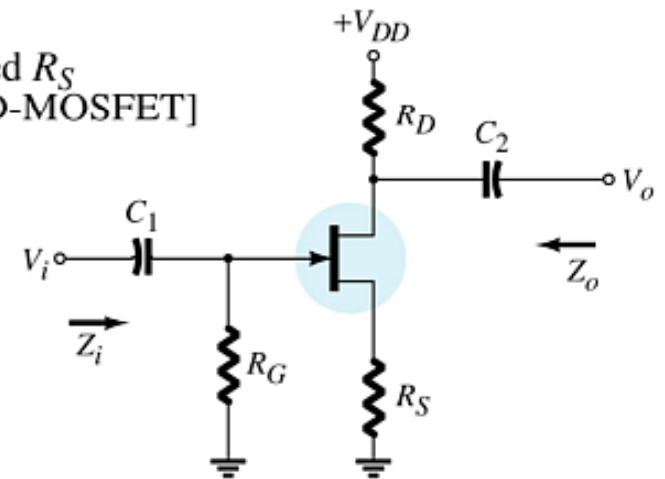
more...

Summary Table

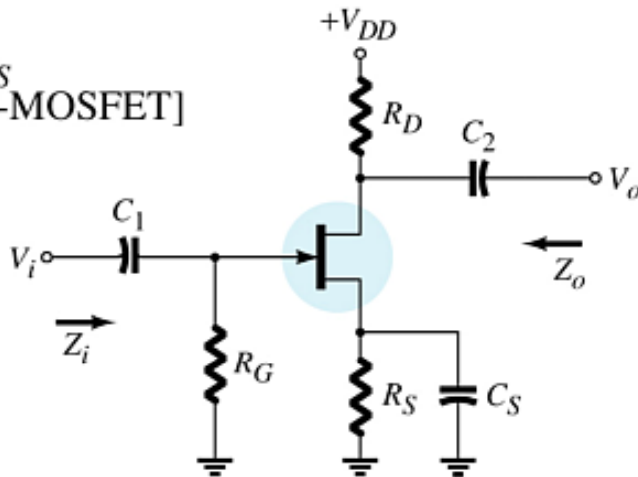
Fixed-bias
[JFET or D-MOSFET]



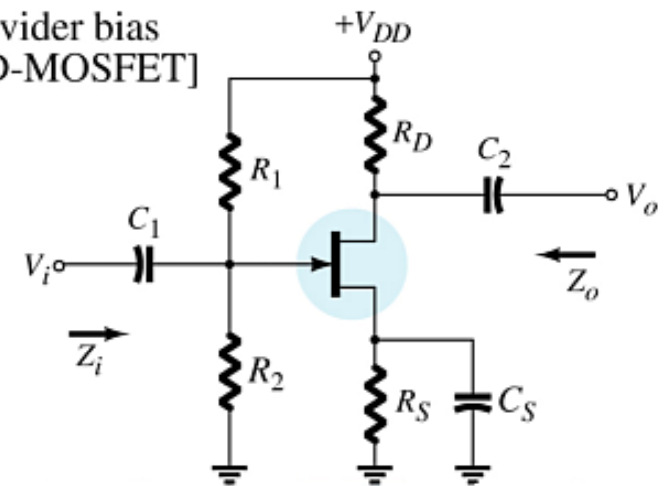
Self-bias
Unbypassed R_S
[JFET or D-MOSFET]



Self-bias
bypassed R_S
[JFET or D-MOSFET]



Voltage-divider bias
[JFET or D-MOSFET]



Troubleshooting

Check the DC bias voltages:

If not correct check power supply, resistors, FET. Also check to ensure that the coupling capacitor between amplifier stages is OK.

Check the AC voltages:

If not correct check FET, capacitors and the loading effect of the next stage

Practical Applications

Three-Channel Audio Mixer
Silent Switching
Phase Shift Networks
Motion Detection System