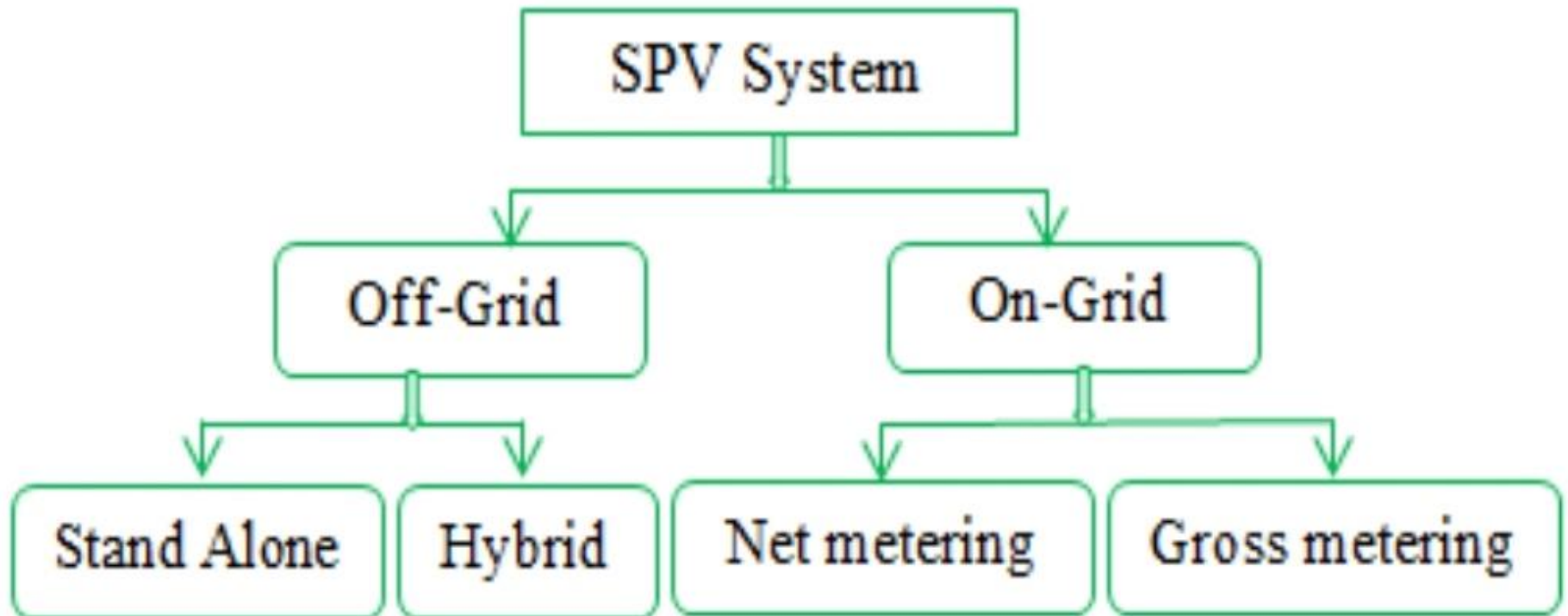


On-grid and Off-grid System

Prepared by
Prof. Nimay Chandra Giri

Types of SPV System

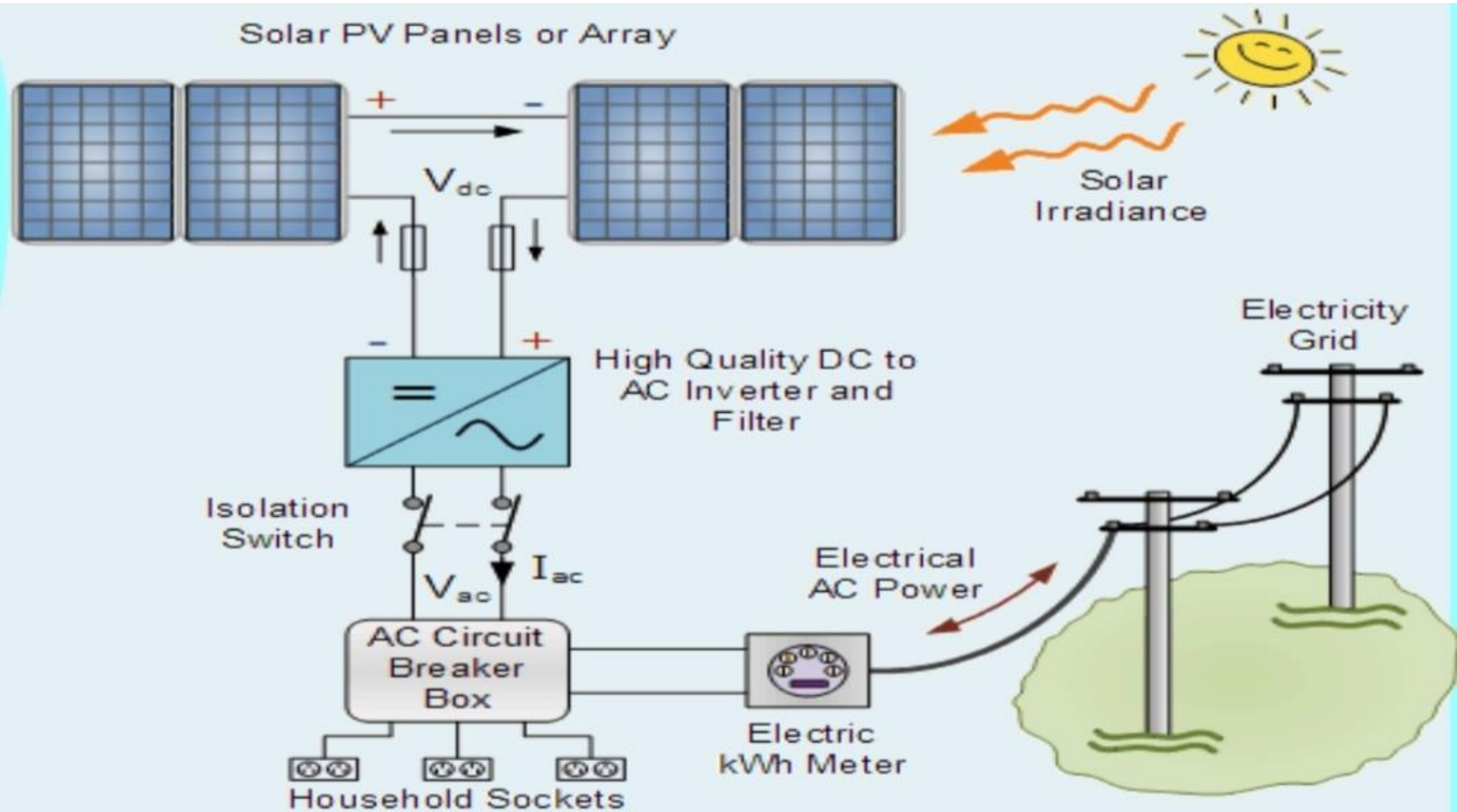
- Solar PV system is divided into two types 1) On-Grid and 2) Off-Grid systems.



On-grid System

- Solar PV system using On-grid is also termed as a Grid-tied system or Utility interactive or Grid back feeding or Grid intertie system. In this kind of system, the Solar is connected with utility grid (typically the power lines) along with the loads and batteries if any are present.
- In pure on-grid solar PV system, batteries are not connected.
- These are are simplest systems to install.

Photographs



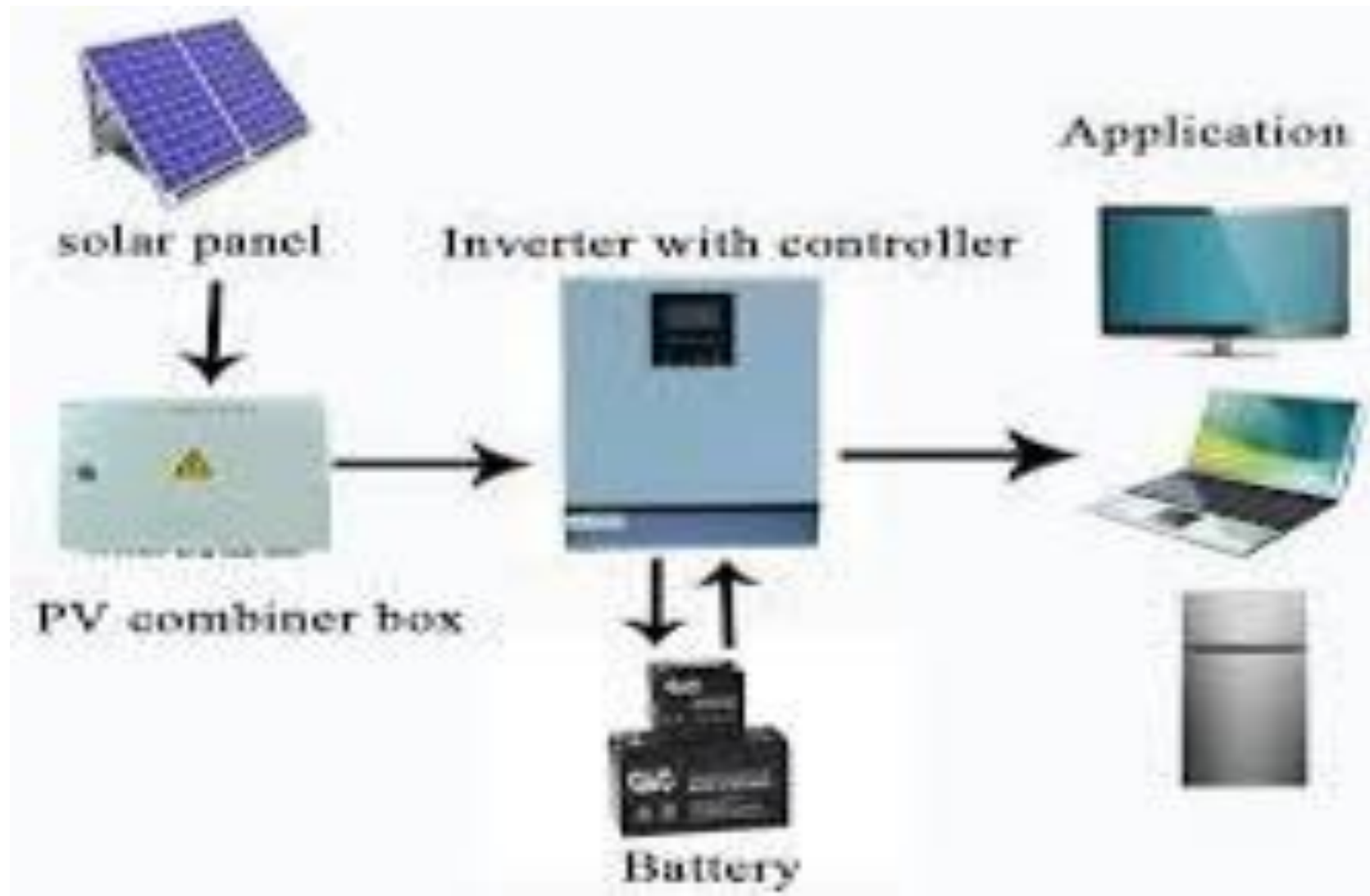
Cont'd



Off-grid System

- An off-grid system is not connected to the electricity grid and therefore requires battery storage.
- These self-sustainable systems can work independently and do not rely on the grid.
- They generate enough power that can be stored and used at night or when the power grid is down.
- Grid failures and shutdowns will not affect your power supply.

Photographs



Cont'd



Applications

- Allmost all places, where power is required
- Grid connected
- Net metering or Gross metering
- Electricity supply in rural and remote areas
- Power back up in areas with frequent electricity cuts
- Centralized and decentralised system
- Ever green system